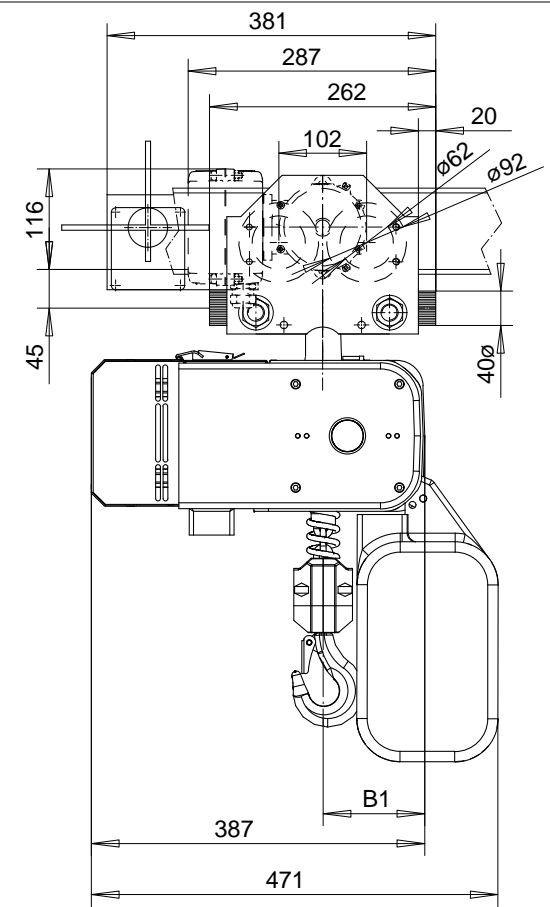
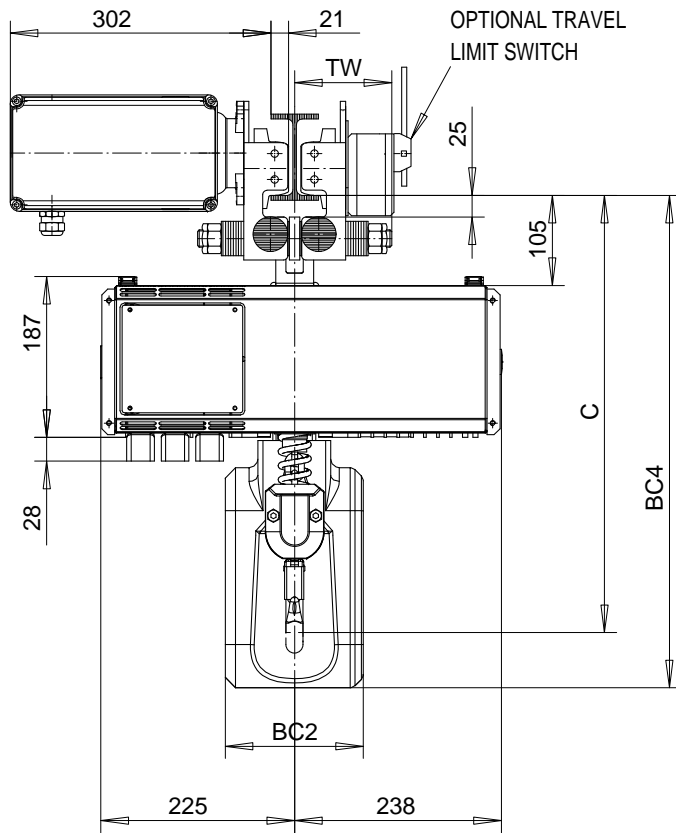


Dimensions are for reference in estimating only. Use of various modifications may affect overall dimensional outline. Where dimensions are critical, request certified drawings for construction. All dimensions are in millimeters unless otherwise noted.



	C	B1	BC2				BC4			
LIFT	---	---	<8m	<16m	<30m	<50m	<8m	<16m	<30m	<50m
1 FALL	463	116	160	150	320	320	590	655	655	775

VFD HOIST, TWO-SPEED TROLLEY, (C1 TROLLEY)

LOAD MATE CHAIN HOIST MODEL NUMBER							FLG CODE	FLG CODE	FLANGE RANGES	MAX. TW	MIN. WS	MAX FLG THK
FR	CAP Kg	LFT m	SUSP	1 SPEED m/MIN	VFD m/MIN(4:1)	FALL						
LM10	500	3	MT	---	19.5I	1	1 - 5	1	58 - 100	---	135	20
LM10	1000	3	MT	---	9.8I	1	1 - 5	2	106 - 150	---	160	20
								3	155 - 200	---	185	20
								4	206 - 248	---	209	20
								5	260 - 307	---	239	20

KHSJST	Appd	2213417114.vxp
Chd		File
2003-03-04	2213417114	
Date	R&M Materials Handling Inc.	
R&M	4501 Gateway Blvd, Springfield	
MATERIALS	VFD LM10 MT; 2SPD TROLLEY	
HANDLING	Issue	02/2007
INC.		

2213417114