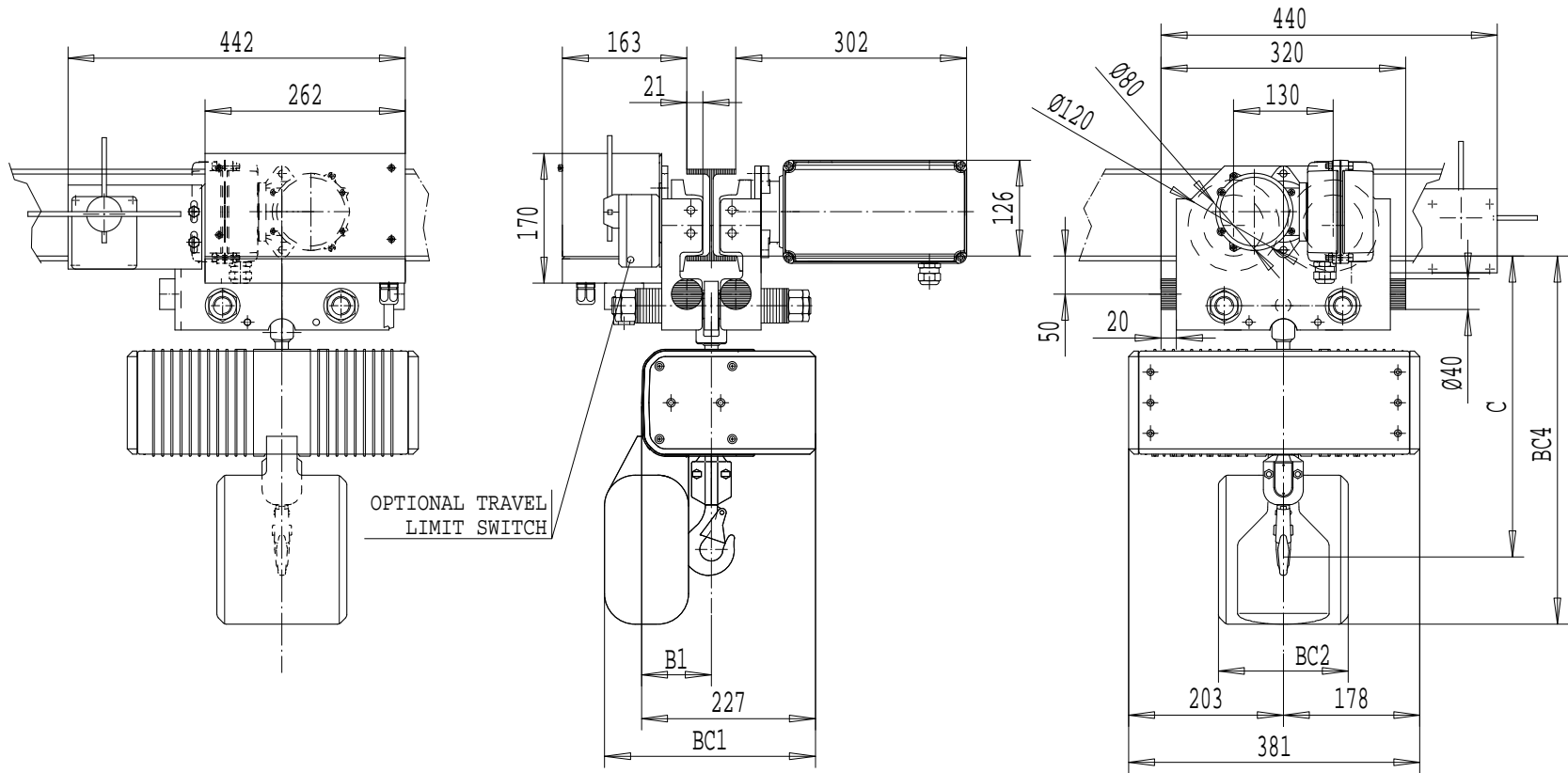


Dimensions are for reference in estimating only. Use of various modifications may affect overall dimensional outline. Where dimensions are critical, request certified drawings for construction. All dimensions are in millimeters unless otherwise noted.

2213417072



	C	B1	BC1				BC2				BC4			
LIFT			<8m	<16m	<30m	<50m	<8m	<16m	<30m	<50m	<8m	<16m	<30m	<50m
1 FALL	451	91	276	316	311	311	170	160	160	320	486	546	635	635
LIFT			<4m	<8m	<15m	<25m	<4m	<8m	<15m	<25m	<4m	<8m	<15m	<25m
2 FALLS	502	112	276	316	311	311	170	160	160	320	486	546	635	635

LOAD MATE CHAIN HOIST MODEL NUMBER								TROLLEY DIMENSIONS						Chd	Appd	p_2213417072 File
FR	CAP Kg	LIFT m	SUSP	1 SPEED m/MIN	2 SPEED m/MIN(4:1)	FALL	FLG CODE	FLG CODE	FLANGE RANGES	MAX. TD	MAX. TW	MIN. WS	MAX FLG THK	2003-03-21 Date	2213417072	
LM05	250	3	MTX	4.9S, 9.8S	9.8T	1	1 - 4	1	64 - 126	---	---	---	25		R&M Materials Handling Inc.	
LM05	500	3	MTX	4.9S, 9.8S	9.8T	1	1 - 4	2	131 - 190	---	---	---	25		4501 Gateway Blvd, Springfield	
LM05	500	3	MTX	---	4.9T	2	1 - 4	3	198 - 248	---	---	---	25		LM05 MTX, VFD TROLLEY	
LM05	1000	3	MTX	---	4.9T	2	1 - 4	4	260 - 310	---	---	---	25		Issue	02/2007