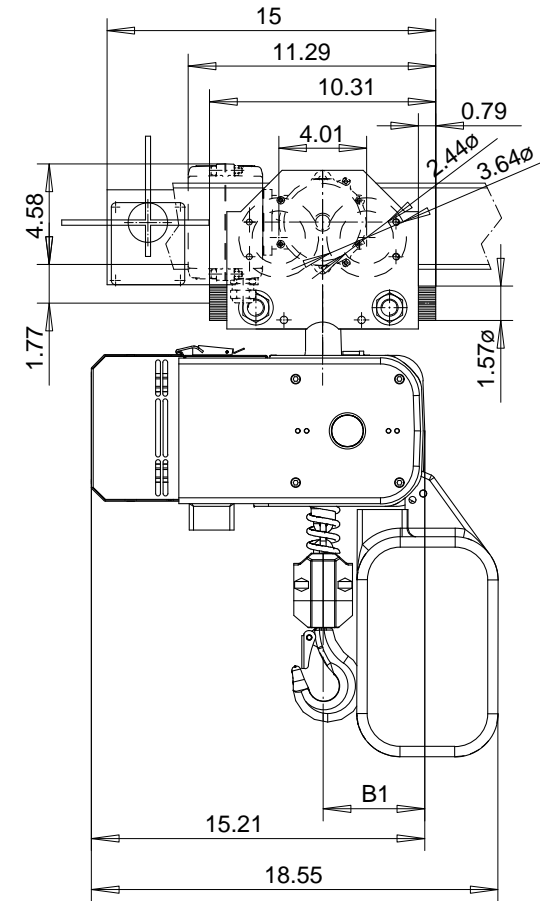
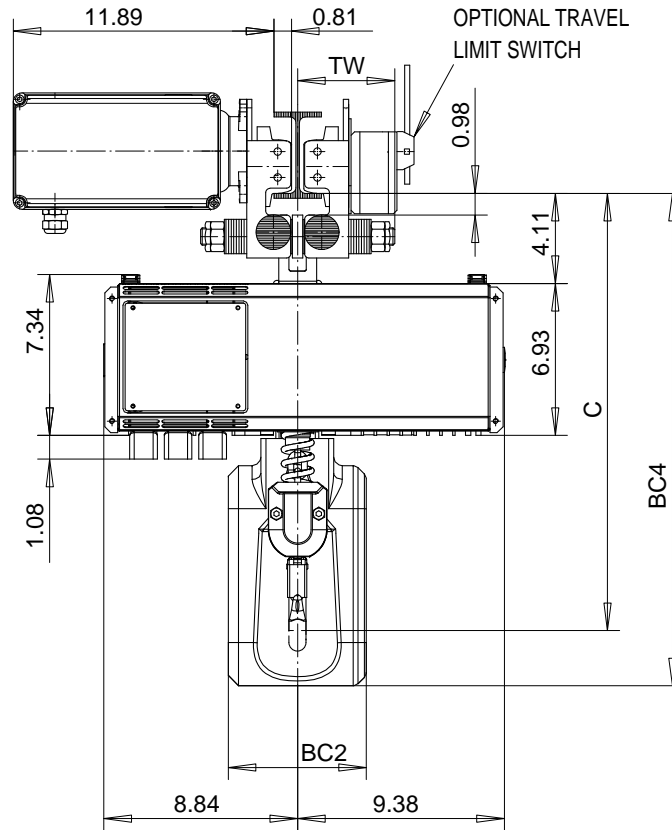


Dimensions are for reference in estimating only. Use of various modifications may affect overall dimensional outline. Where dimensions are critical, request certified drawings for construction. All dimensions are in inches unless otherwise noted.

2213417114



	C	B1	BC2				BC4			
LIFT	---	---	<25ft	<50ft	<100ft	<150ft	<25ft	<50ft	<100ft	<150ft
1 FALL	20.59	4.57	6.30	5.91	12.60	12.60	23.23	25.79	25.79	30.51

VFD HOIST, TWO-SPEED TROLLEY, (C1 TROLLEY)

LOAD MATE CHAIN HOIST MODEL NUMBER							FLG CODE
FR	CAP TON	LFT FT	SUSP	¹ SPEED FPM	VFD FPM(4:1)	FALL	
LM10	1/2	10		---	64I	1	1 - 5
LM10	1	10		---	32I	1	1 - 5

FLG CODE	FLANGE RANGES		MAX. TW	MIN. WS	MAX FLG THK
1	2.28 - 3.94	---	5.31	---	.79
2	4.17 - 5.90	---	6.30	---	.79
3	6.10 - 7.87	---	7.28	---	.79
4	8.11 - 9.76	---	8.23	---	.79
5	10.23-12.09	---	9.41	---	.79

KHSJST	Appd	2213417114.vxp
Chd		File
2003-03-04	2213417114	
Date	R&M Materials Handling Inc.	
R&M	4501 Gateway Blvd, Springfield	
MATERIALS	VFD LM10 MT; 2SPD TROLLEY	
HANDLING	Issue	02/2007
INC.		