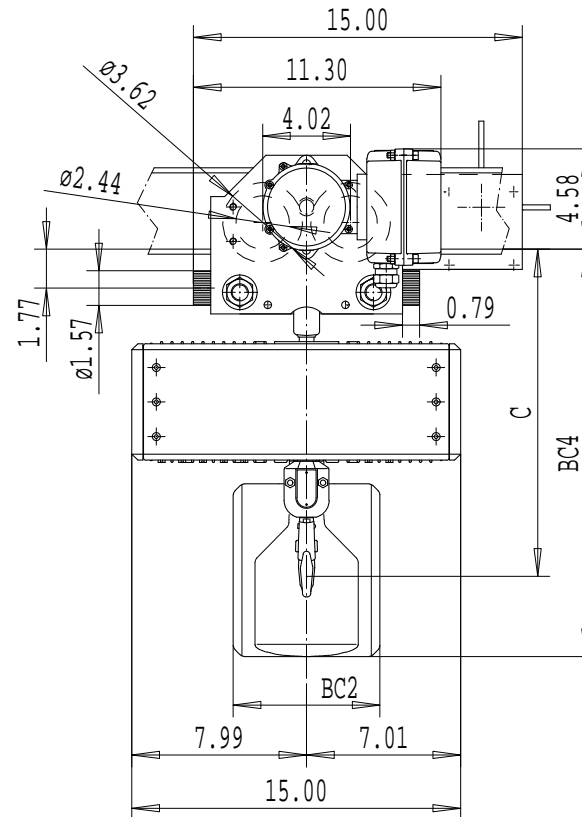
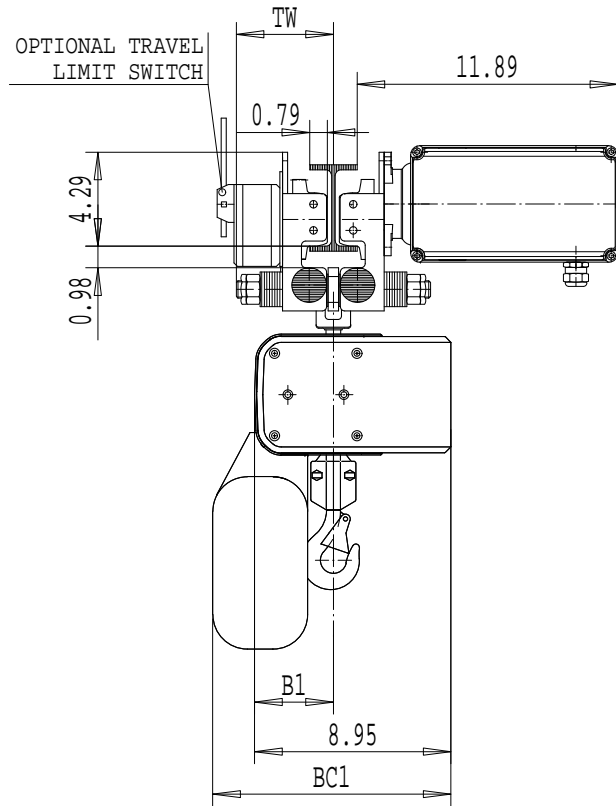


2213417068

Dimensions are for reference in estimating only. Use of various modifications may affect overall dimensional outline. Where dimensions are critical, request certified drawings for construction. All dimensions are in inches unless otherwise noted.



	C	B1	BC1				BC2				BC4			
	LIFT		<25ft	<50ft	<100ft	<150ft	<25ft	<50ft	<100ft	<150ft	<25ft	<50ft	<100ft	<150ft
1 FALL	14.92	3.58	10.87	12.44	12.24	12.24	6.69	6.30	6.30	12.60	18.50	20.87	23.43	23.43
	LIFT		<13ft	<25ft	<50ft	<75ft	<13ft	<25ft	<50ft	<75ft	<13ft	<25ft	<50ft	<75ft
2 FALLS	18.03	4.41	10.87	12.44	12.24	12.24	6.69	6.30	6.30	12.60	18.50	20.87	23.43	23.43

LOAD MATE CHAIN HOIST MODEL NUMBER							TROLLEY DIMENSIONS						Chd	Appd	p_2213417068 File	
FR	CAP TON	LIFT FT	SUSP	1 SPEED FPM	2 SPEED FPM(4:1)	FALL	FLG CODE	FLG CODE	FLANGE RANGES	MAX. TD	MAX. TW	MIN. WS	MAX FLG THK	2003-03-14 Date	2213417068	
LM05	1/4	10	MTX	16S, 32S	32T	1	1 - 5	1	2.28 - 3.94	---	5.59	---	.79		R&M MATERIALS HANDLING INC.	4501 Gateway Blvd, Springfield LM05 MTX, 2SPD TROLLEY
LM05	1/2	10	MTX	16S, 32S	32T	1	1 - 5	2	4.17 - 5.90	---	6.58	---	.79			
LM05	1/2	10	MTX	---	16T	2	1 - 5	3	6.10 - 7.87	---	7.56	---	.79			
LM05	1	10	MTX	---	16T	2	1 - 5	4	8.11 - 9.76	---	8.50	---	.79			
								5	10.23-12.09	---	9.69	---	.79			
														Issue	02/2007	