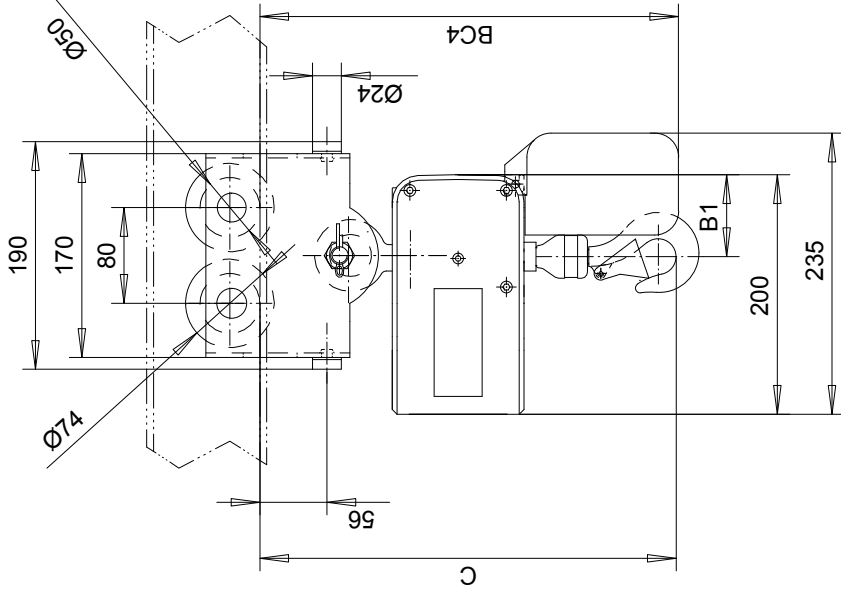


Dimensions are for reference in estimating only. Use of various modifications may affect overall dimensional outline. Where dimensions are critical, request certified drawings for construction. All dimensions are in millimeters unless otherwise noted.



FR	CAP Kg	LFT m	SUSP	SPEED		FALL	TROLLEY DIMENSIONS						
				1 SPEED m/MIN	2 SPEED m/MIN(4:1)		FLG CODE	FLANGE RANGES	MAX. TD	MAX TW	MIN WS	MAX FLG THK	
LM1	125	3	PT	---	9.8T	1	1	1	50 - 202	**	**	30	25
LM1	125	3	PT	---	4.9T	2	1	1	**				
LM1	250	3	PT	---	4.9T	2	1	1					

LOADMATE CHAIN HOIST MODEL NUMBER

Chd	Appd	File
2003-01-15	2213417053	p.2213417053
R&M	R&M	
MATERIALS		
HANDLING		
INC.		

Minimum radius curve: 1 meter

2003-01-15	2213417053	p.2213417053
R&M	R&M	
MATERIALS		
HANDLING		
INC.		

ISSUE

LM1 PT HOIST

05/2010

4501 Gateway Blvd, Springfield

R&M Materials Handling Inc.