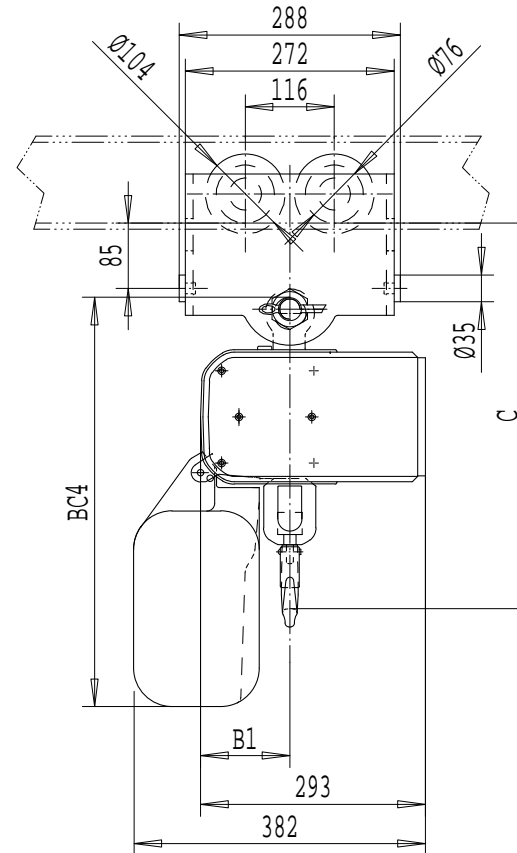
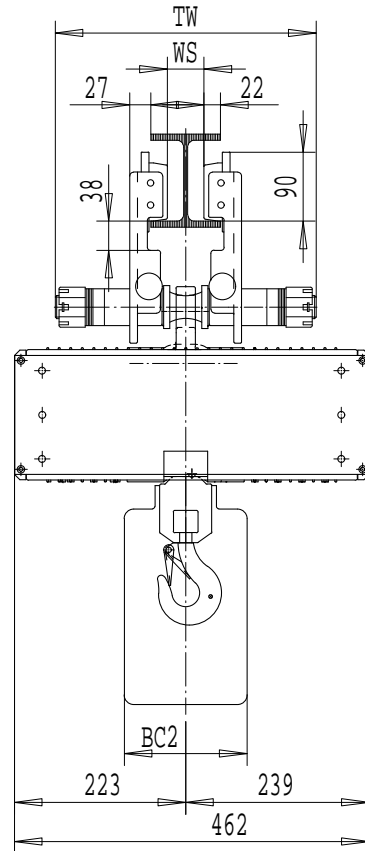


Dimensions are for reference in estimating only. Use of various modifications may affect overall dimensional outline. Where dimensions are critical, request certified drawings for construction. All dimensions are in millimeters unless otherwise noted.

2213417056



| | C | B1 | BC2 | | | | BC4 | | | |
|---------|-----|-----|-----|------|------|------|-----|------|------|------|
| LIFT | | | <8m | <16m | <30m | <50m | <8m | <16m | <30m | <50m |
| 1 FALL | 518 | 116 | 160 | 150 | 320 | 320 | 645 | 710 | 710 | 830 |
| LIFT | | | <4m | <8m | <15m | <25m | <4m | <8m | <15m | <25m |
| 2 FALLS | 579 | 145 | 160 | 150 | 320 | 320 | 645 | 710 | 710 | 830 |

Minimum radius curve: 1.5 meter

| LOAD MATE CHAIN HOIST MODEL NUMBER | | | | | | | TROLLEY DIMENSIONS | | | | | | |
|------------------------------------|--------|--------|------|---------------|--------------------|------|--------------------|----------|---------------|---------|--------|---------|-------------|
| FR | CAP Kg | LIFT m | SUSP | 1 SPEED m/MIN | 2 SPEED m/MIN(4:1) | FALL | FLG CODE | FLG CODE | FLANGE RANGES | MAX. TD | MAX TW | MIN. WS | MAX FLG THK |
| LM10 | 500 | 3 | PT | --- | 19.5T | 1 | 1,2 | 1 | 88 - 200 | ** | 340 | 44 | 33 |
| LM10 | 1000 | 3 | PT | 4.9S,9.8S | 9.8T | 1 | 1,2 | 2 | 188 - 310 | ** | 448 | 144 | 33 |
| LM10 | 2000 | 3 | PT | 2.4S,4.9S | 4.9T | 2 | 1,2 | | ** | | | | |

| Chd | Appd | p_2213417056 File |
|--------------------------------------|---|----------------------|
| 2003-01-21 Date | 2213417056 | |
| R&M MATERIALS HANDLING INC. | R&M Materials Handling Inc. 4501 Gateway Blvd, Springfield | |
| | LM10 PT HOIST | Issue 02/2007 |