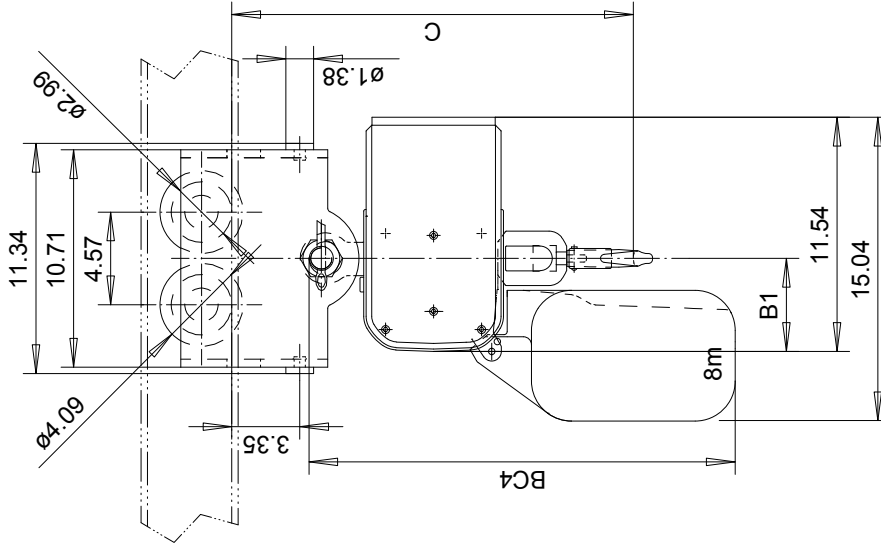
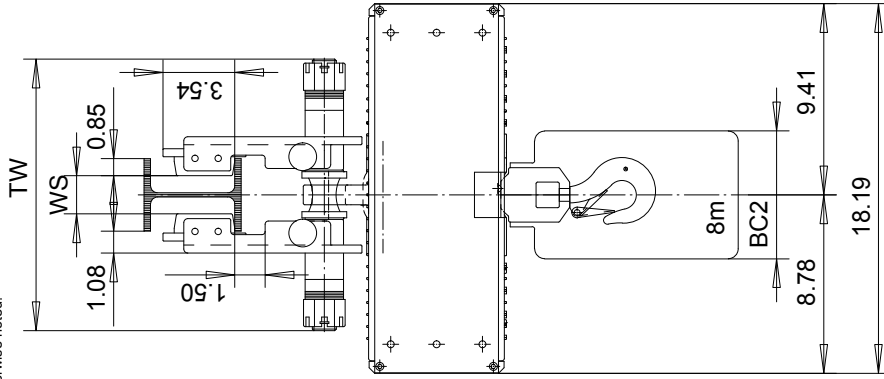


Dimensions are for reference in estimating only. Use of various modifications may affect overall dimensional outline. Where dimensions are critical, request certified drawings for construction. All dimensions are in inches unless otherwise noted.



Minimum radius curve: 59.1 in.

FR	CAP TON	LIFT FT	LIFT SUSP	1 SPEED FPM	2 SPEED FPM(4:1)	LOADMATE CHAIN HOIST MODEL NUMBER				TROLLEY DIMENSIONS			
						FLG CODE	FALL	FLG CODE	FLANGE RANGES	MAX TD	MAX TW	MIN WS	MAX FLG THK
LM10	1/2	10	PT	---	64T	1	1,2	1	3.47 - 7.87	**	13.39	1.73	1.30
LM10	1	10	PT	16S,32S	32T	1	1,2	1	7.40 - 12.20	**	17.64	5.67	1.30
LM10	2	10	PT	8S,16S	16T	2	1,2	2	**				

KHSJST	Appd	File
Chd	2213417056	p.2213417056
Date	2003-01-21	
R&M	R&M Materials Handling Inc.	
MATERIALS HANDLING	4501 Gateway Blvd, Springfield	
INC.	LM10 PT HOIST	Issue 05/2010