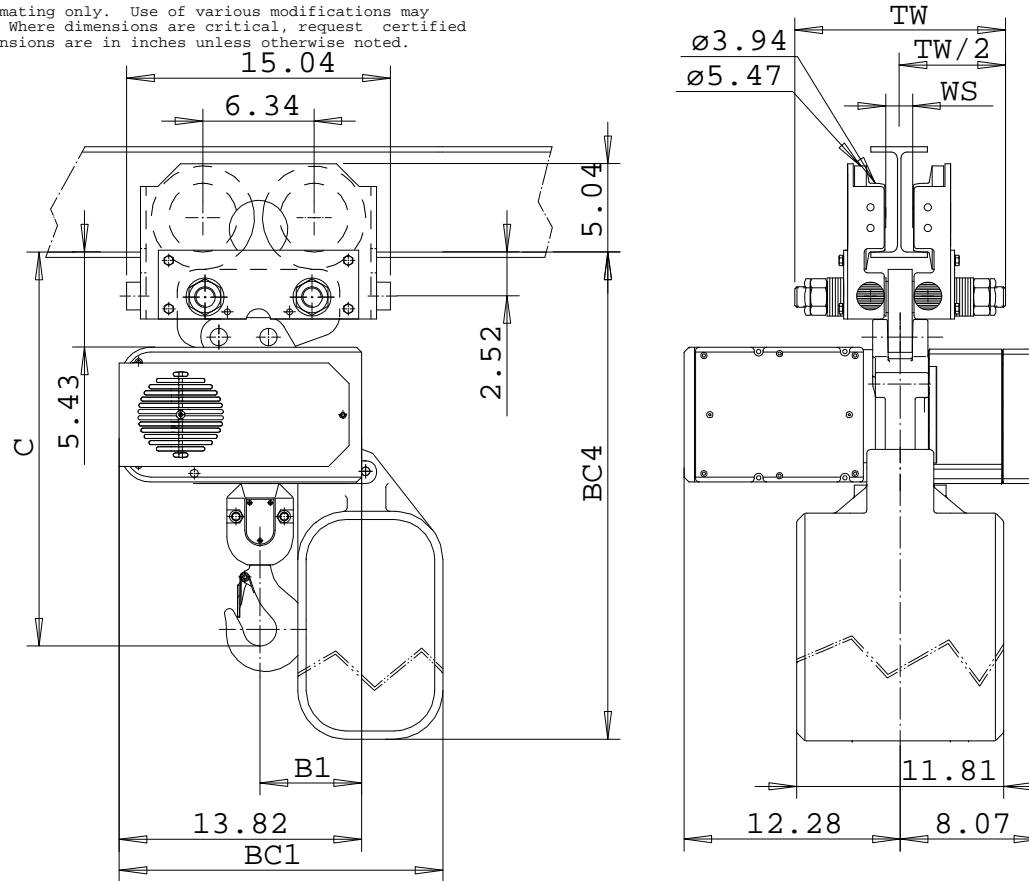


2213417007

Dimensions are for reference in estimating only. Use of various modifications may affect overall dimensional outline. Where dimensions are critical, request certified drawings for construction. All dimensions are in inches unless otherwise noted.



	C	B1	BC1			BC4		
LIFT	-----	-----	<50ft	<100ft	<150ft	<50ft	<100ft	<150ft
1 FALL	21.26	5.79	18.46	25.16	27.91	29.80	36.14	44.02
LIFT	-----	-----	<50ft	<100ft	<150ft	<50ft	<100ft	<150ft
2 FALLS	25.20	7.72	18.46	25.16	27.91	29.80	36.14	44.02

LOAD MATE CHAIN HOIST MODEL NUMBER								TROLLEY DIMENSIONS						KHSJST	Appd	p_2213417007
FR	CAP TON	LFT FT	SUSP	1 SPEED FPM	2 SPEED FPM(4:1)	FALL	FLG CODE	FLG CODE	FLANGE RANGES	MAX. TD	MAX TW	MIN. WS	MAX FLG THK	Chd	File	
LM16	1	10	PT	-----	64T	1	1 - 4	1	3.23-5.39	---	12.01	1.50	.87	2000-10-17	2213417007	
LM16	1 1/2	10	PT	-----	32T	1	1 - 4	2	5.51-7.48	---	14.37	3.78	.87	Date	R&M Materials Handling Inc.	
LM16	3	10	PT	-----	16T	2	1 - 4	3	7.80-9.76	---	16.73	6.06	.87		4501 Gateway Blvd, Springfield	
								4	10.24-12.20	---	19.37	8.50	.87		LM16 PT HOIST	
														INC.	Issue 02/2007	