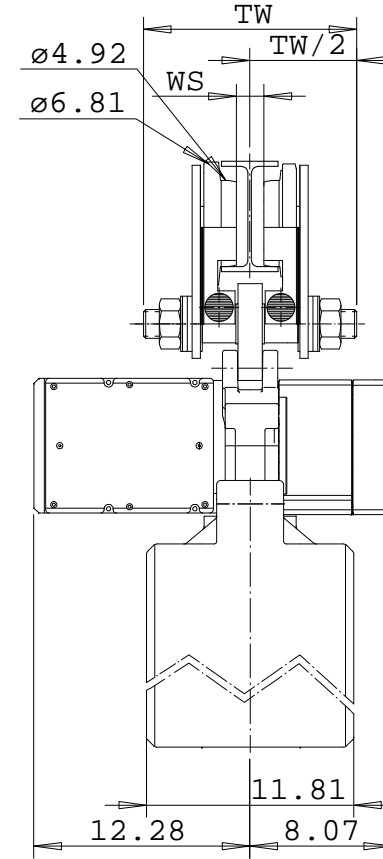
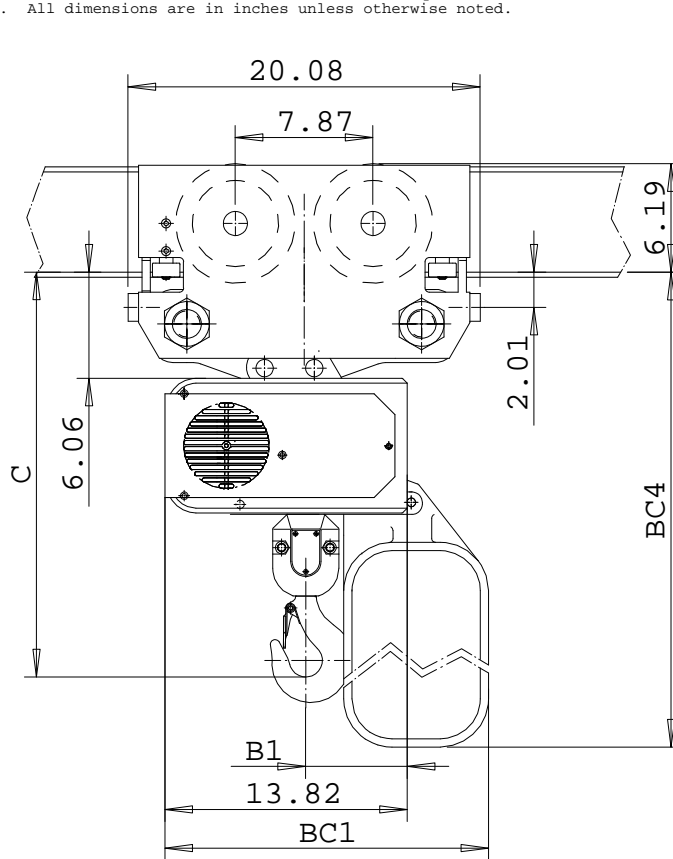


Dimensions are for reference in estimating only. Use of various modifications may affect overall dimensional outline. Where dimensions are critical, request certified drawings for construction. All dimensions are in inches unless otherwise noted.

2213417008



	C	B1	BC1			BC4		
LIFT	---	---	<25ft	<50ft	<75ft	<25ft	<50ft	<75ft
2 FALLS	27.40	7.72	18.47	25.16	27.91	30.43	36.77	44.65

LOAD MATE CHAIN HOIST MODEL NUMBER								TROLLEY DIMENSIONS						KHSJST	Appd	p_2213417008
FR	CAP TON	LFT FT	SUSP	1 SPEED FPM	2 SPEED FPM(4:1)	FALL	FLG CODE	FLG CODE	FLANGE RANGES	MAX. TD	MAX TW	MIN. WS	MAX FLG THK	Chd	File	
LM25	5	10	PT	---	12T	2	1 - 5	1	3.23-4.33	---	12.24	1.50	.87	2000-10-17	2213417008	
								2	4.45-5.91	---	13.27	2.72	.87		R&M Materials Handling Inc.	
								3	6.10-7.87	---	15.12	4.37	.87		4501 Gateway Blvd, Springfield	
								4	8.11-9.76	---	17.13	6.38	.87		LM25 PT HOIST	
								5	10.24-12.20	---	19.29	8.50	.87		Issue 02/2007	