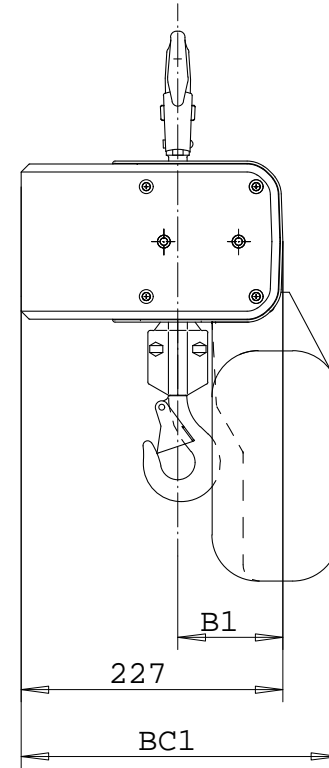
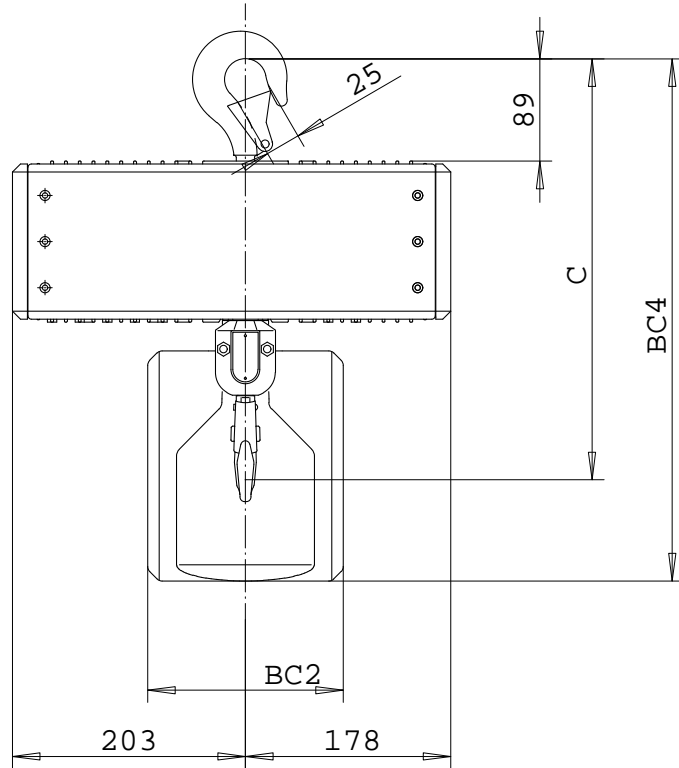


2213417023

Dimensions are for reference in estimating only. Use of various modifications may affect overall dimensional outline. Where dimensions are critical, request certified drawings for construction. All dimensions are in millimeters unless otherwise noted.



	C	B1	BC1				BC2				BC4			
LIFT			<8m	<16m	<30m	<46m	<8m	<16m	<30m	<46m	<8m	<16m	<30m	<46m
1 FALL	419	92	302	340	340	340	168	168	153	321	454	518	584	584
LIFT			<4m	<8m	<15m	<23m	<4m	<8m	<15m	<23m	<4m	<8m	<15m	<23m
2 FALLS	467	114	302	340	340	340	168	168	153	321	454	518	584	584

LOAD MATE CHAIN HOIST MODEL NUMBER								TROLLEY DIMENSIONS							
FR	CAP Kg	LIFT m	SUSP	1 SPEED m/MIN	2 SPEED m/MIN(4:1)	FALL	FLG CODE	FLG CODE	FLANGE RANGES	MAX. TD	MAX. TW	MIN. WS	MAX. FLG THK		
LM05	250	3	THX	4.9S,9.8S	9.8T	1	---	---	---	---	---	---	---		
LM05	500	3	THX	4.9S,9.8S	9.8T	1	---								
LM05	500	3	THX	---	4.9T	2	---								
LM05	1000	3	THX	---	4.9T	2	---								

Chd	Appd	p_2213417023 File
2000-11-03 Date	2213417023	
R&M	R&M Materials Handling Inc.	
MATERIALS HANDLING	4501 Gateway Blvd, Springfield	
INC.	LM05 THX HOIST	Issue 02/2007