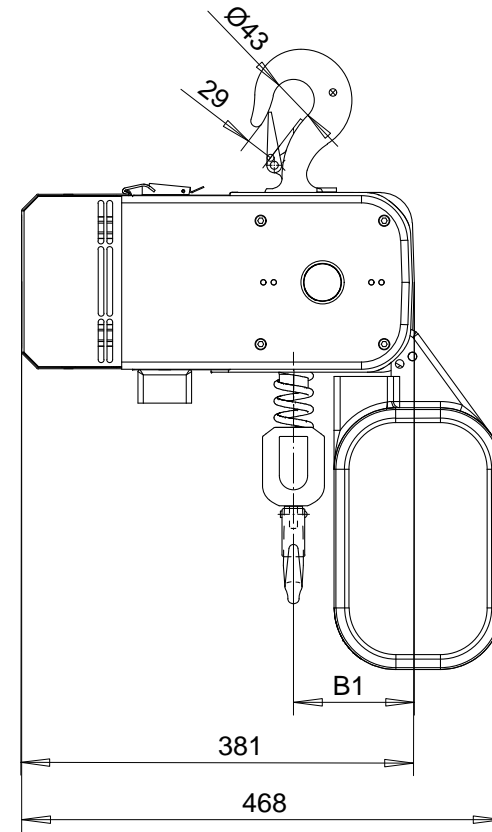
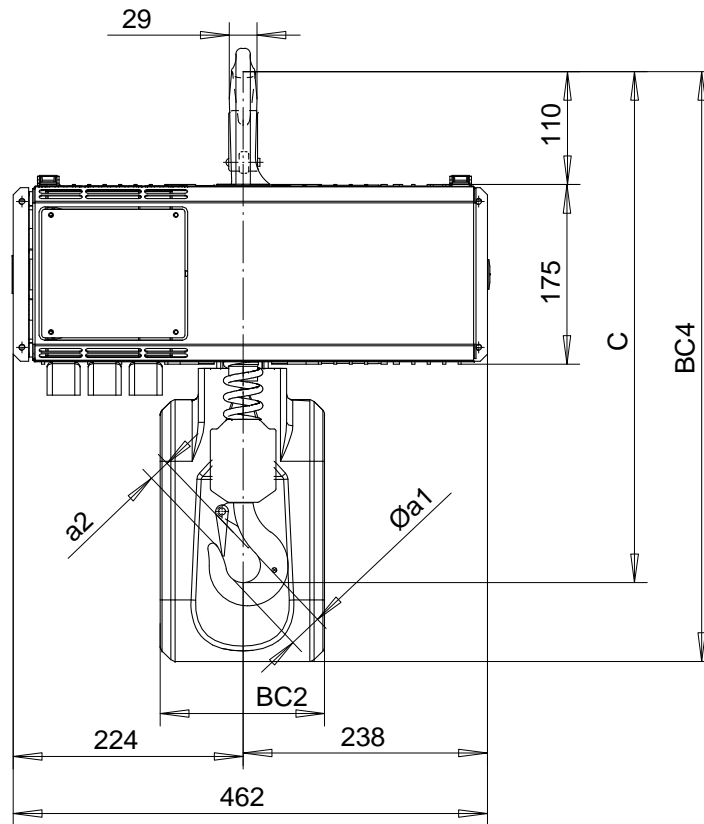


Dimensions are for reference in estimating only. Use of various modifications may affect overall dimensional outline.  
 Where dimensions are critical, request certified drawings for construction. All dimensions are in millimeters unless otherwise noted.



2213417024

	C	B1	BC2				BC4				$\phi a1$	$a2$
LIFT			<8m	<16m	<30m	<46m	<8m	<16m	<30m	<46m		
1 FALL	511	118	168	153	321	321	575	642	642	762	36	20
LIFT			<4m	<8m	<15m	<23m	<4m	<8m	<15m	<23m		
2 FALLS	572	146	168	153	321	321	575	642	642	762	43	26

LOAD MATE CHAIN HOIST MODEL NUMBER							TROLLEY DIMENSIONS					
FR	CAP Kg	LIFT m	SUSP	VFD SPEED m/MIN	FALL	FLG CODE	FLG CODE	FLANGE RANGES	MAX. TD	MAX. TW	MIN. WS	MAX. FLG THK
LM10	500	3	TH	19.5 I	1	---	---	---	---	---	---	---
LM10	1000	3	TH	9.8 I	1	---						
LM10	2000	3	TH	4.9 I	2	---						

KHSJST Chd	Appd	2213417111.vxp File
2007-20-02 Date	2213417111	
R&M	R&M Materials Handling Inc.	
MATERIALS HANDLING INC.	4501 Gateway Blvd, Springfield	
	LM10 TH VFD HOIST	Issue 02/2007