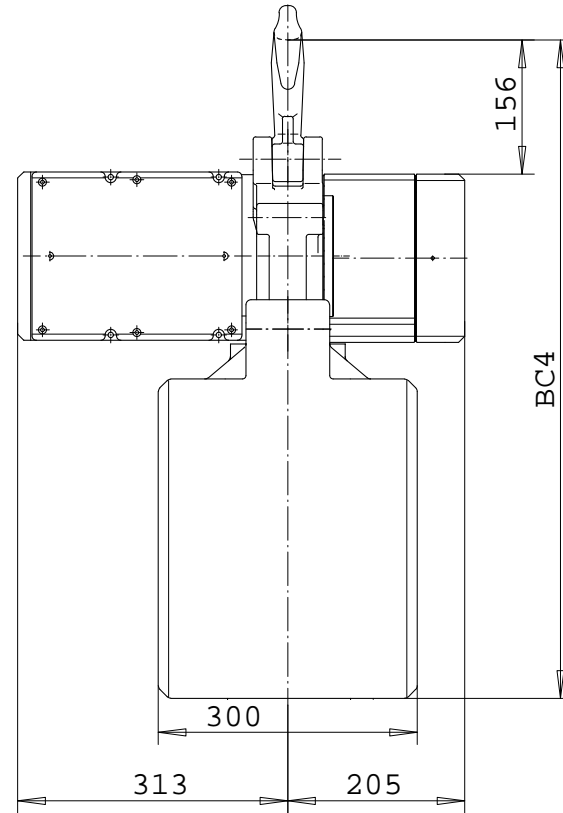
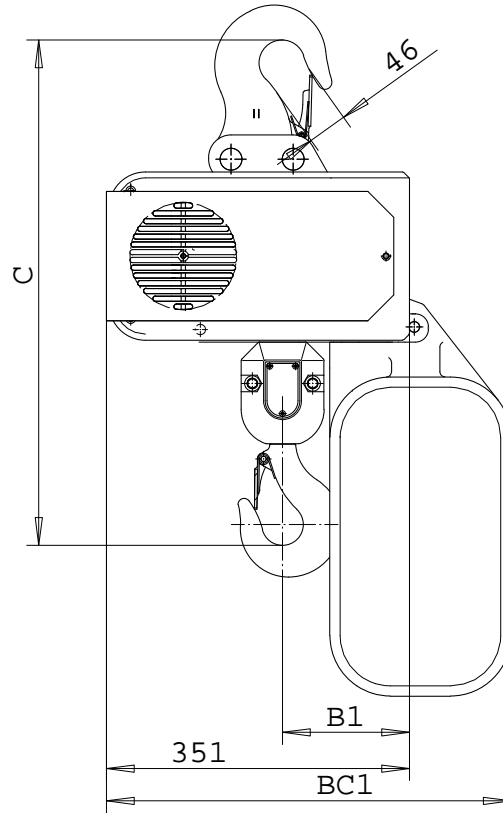


2213417026

Dimensions are for reference in estimating only. Use of various modifications may affect overall dimensional outline. Where dimensions are critical, request certified drawings for construction. All dimensions are in millimeters unless otherwise noted.



	C	B1	BC1		BC4	
LIFT			<16m	<46m	<16m	<46m
1 FALL	558	147	469	639	774	935
LIFT			<8m	<23m	<8m	<23m
2 FALLS	661	197	469	639	774	935

LOAD MATE CHAIN HOIST MODEL NUMBER							FLG CODE
FR	CAP Kg	LIFT m	SUSP	1 SPEED m/MIN	2 SPEED m/MIN(4:1)	FALL	
LM16	1000	3	TH	-----	19.5T	1	---
LM16	1500	3	TH	-----	9.8T	1	---
LM16	3000	3	TH	-----	4.9T	2	---

TROLLEY DIMENSIONS					
FLG CODE	FLANGE RANGES	MAX. TD	MAX. TW	MIN. WS	MAX. FLG THK
---	---	---	---	---	---

KHSJST	Appd	p_2213417026
Chd		File
2000-11-03	2213417026	
Date		
R&M	R&M Materials Handling Inc.	
MATERIALS HANDLING	4501 Gateway Blvd, Springfield	
INC.	LM16 TH HOIST	Issue 02/2007