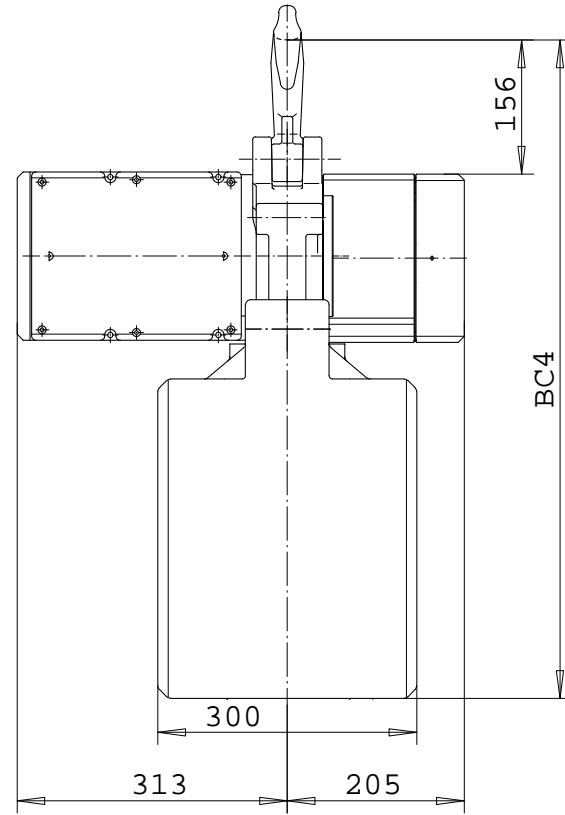
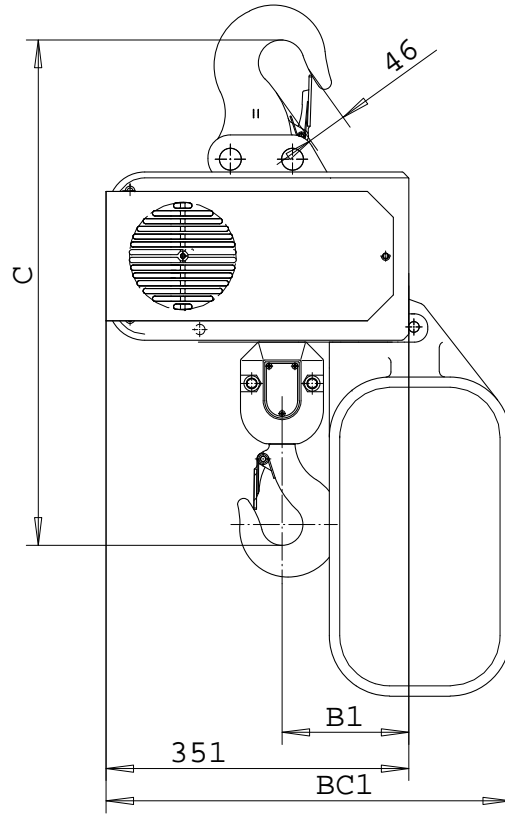


Dimensions are for reference in estimating only. Use of various modifications may affect overall dimensional outline. Where dimensions are critical, request certified drawings for construction. All dimensions are in millimeters unless otherwise noted.



	C	B1	BC1			BC4		
LIFT			<16m	<30m	<46m	<16m	<30m	<46m
1 FALL	589	147	469	639	709	774	935	1135
LIFT			<8m	<15m	<23m	<8m	<15m	<23m
2 FALLS	698	197	469	639	709	774	935	1135

LOAD MATE CHAIN HOIST MODEL NUMBER								TROLLEY DIMENSIONS						KHSJST	Appd	p_2213417040
FR	CAP Kg	LIFT m	SUSP	1 SPEED m/MIN	2 SPEED m/MIN(4:1)	FALL	FLG CODE	FLG CODE	FLANGE RANGES	MAX. TD	MAX. TW	MIN. WS	MAX. FLG THK	Chd	File	
LM20	2000	3	TH	-----	9.8T	1	---	---	---	---	---	---	---	2001-07-16	2213417040	
LM20	4000	3	TH	-----	4.9T	2	---							Date	R&M Materials Handling Inc.	
															4501 Gateway Blvd, Springfield	
															MATERIALS HANDLING	
															INC.	
															LM20 TH HOIST	
															Issue 02/2007	

2213417040