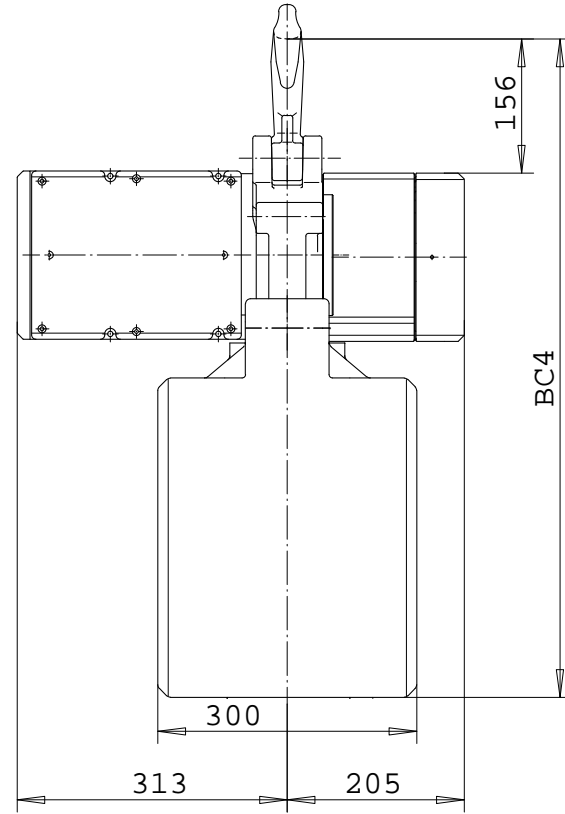
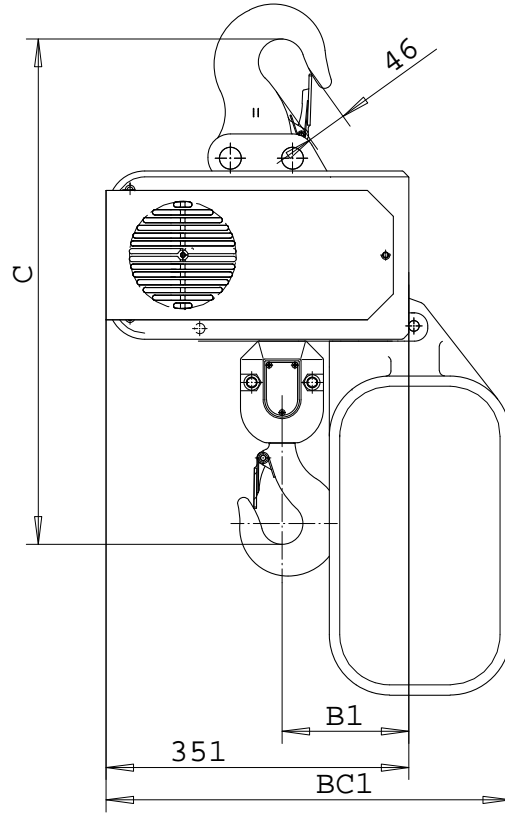


Dimensions are for reference in estimating only. Use of various modifications may affect overall dimensional outline. Where dimensions are critical, request certified drawings for construction. All dimensions are in millimeters unless otherwise noted.



2213417027

	C	B1	BC1			BC4		
LIFT			<16m	<30m	<46m	<16m	<30m	<46m
1 FALL	589	147	469	639	709	774	935	1135
LIFT			<8m	<15m	<23m	<8m	<15m	<23m
2 FALLS	698	197	469	639	709	774	935	1135

LOAD MATE CHAIN HOIST MODEL NUMBER							TROLLEY DIMENSIONS						
FR	CAP Kg	LIFT m	SUSP	1 SPEED m/MIN	2 SPEED m/MIN(4:1)	FALL	FLG CODE	FLG CODE	FLANGE RANGES	MAX. TD	MAX. TW	MIN. WS	MAX. FLG THK
LM25	2500	3	TH	-----	7.3T	1	---	---	---	---	---	---	---
LM25	5000	3	TH	-----	3.6T	2	---						

KHSJST Chd	Appd	p_2213417027 File
2000-11-03 Date	2213417027	
R&M MATERIALS HANDLING INC.	R&M Materials Handling Inc. 4501 Gateway Blvd, Springfield	
	LM25 TH HOIST	Issue 02/2007