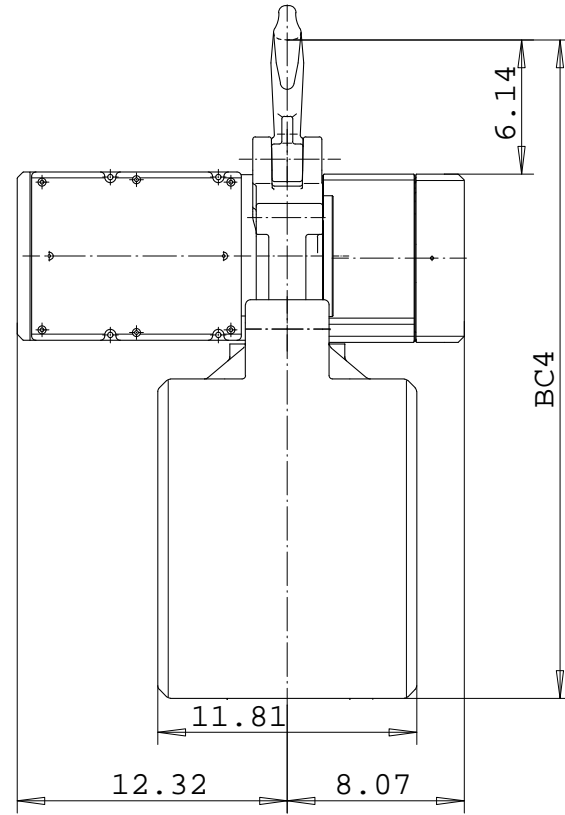
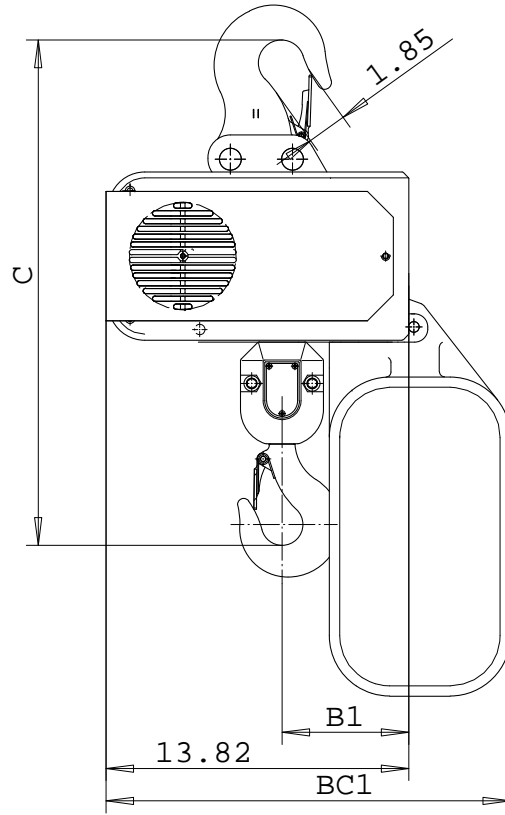


2213417027

Dimensions are for reference in estimating only. Use of various modifications may affect overall dimensional outline. Where dimensions are critical, request certified drawings for construction. All dimensions are in inches unless otherwise noted.



	C	B1	BC1			BC4		
LIFT			<50ft	<100ft	<150ft	<50ft	<100ft	<150ft
1 FALL	23.19	5.79	18.47	25.16	27.91	30.47	36.11	44.69
LIFT			<25ft	<50ft	<75ft	<25ft	<50ft	<75ft
2 FALLS	27.48	7.76	18.47	25.16	27.91	30.47	36.11	44.69

LOAD MATE CHAIN HOIST MODEL NUMBER							FLG CODE	TROLLEY DIMENSIONS					
FR	CAP TON	LIFT FT	SUSP	1 SPEED FPM	2 SPEED FPM(4:1)	FALL		FLG CODE	FLANGE RANGES	MAX. TD	MAX. TW	MIN. WS	MAX. FLG THK
LM25	2.5	10	TH	-----	24T	1	---	---	---	---	---	---	
LM25	3	10	TH	-----	24T	1	---						
LM25	5	10	TH	-----	12T	2	---						

KHSJST Chd	Appd	p_2213417027 File
2000-11-03 Date	2213417027	
R&M MATERIALS HANDLING INC.	R&M Materials Handling Inc. 4501 Gateway Blvd, Springfield	
	LM25 TH HOIST	Issue 02/2007