

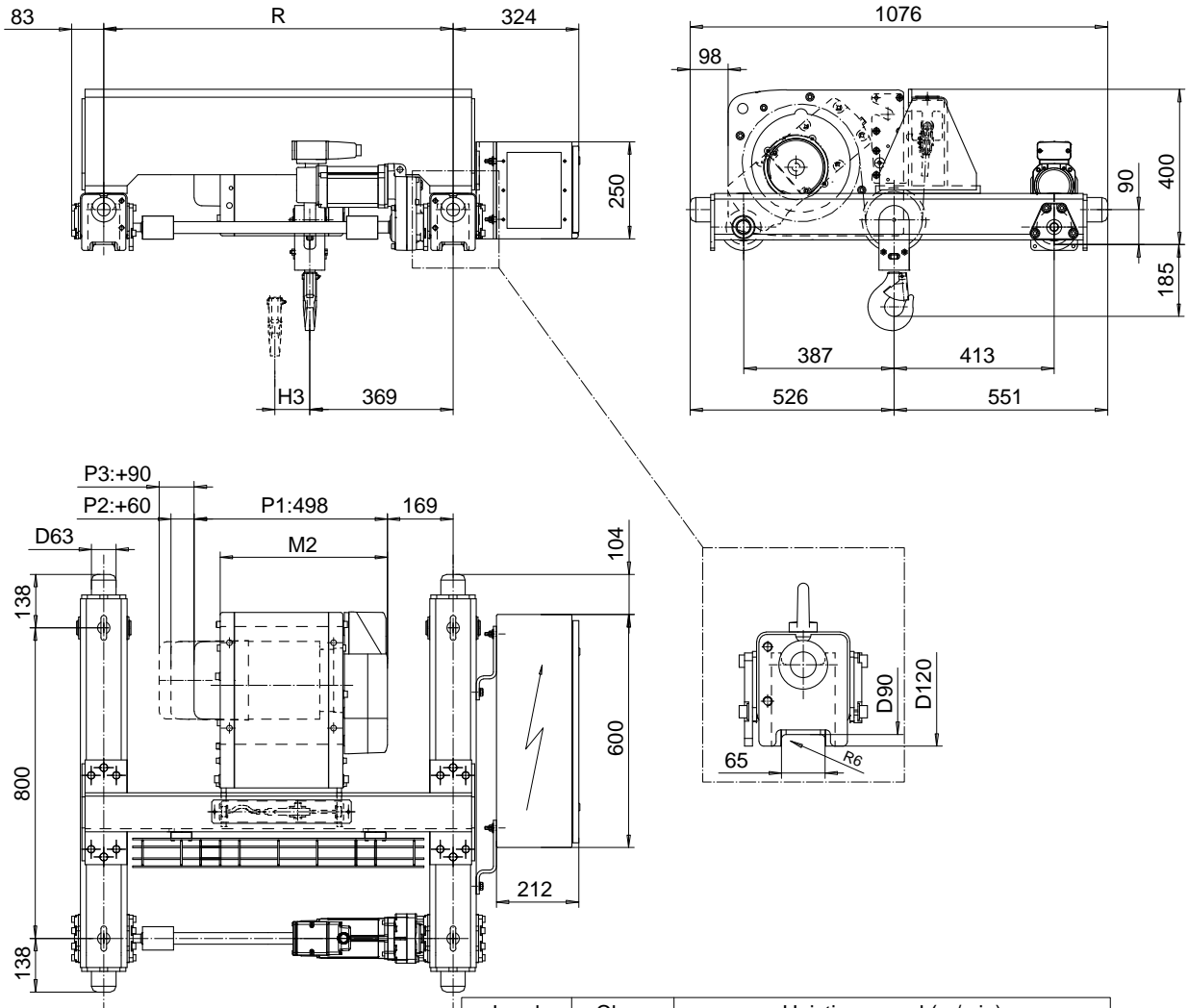
DOUBLE GIRDER, HIGH CONNECTION, 2 PART SINGLE

Hoist type:

SX2 021..DH

SX3 021..DH

SI-50Hz



Load (kg)	Class Fem/ISO	Hoisting speed (m/min)			
		Gear+Motor code:			
		F+P1	F+P2	G+P2	H+P3
800	3m/M6	10/1.7	10/1.7	12.5/2.1	16/2.7
1000	2m/M5	10/1.7	10/1.7	12.5/2.1	16/2.7
1250	3m/M6	-	10/1.7	12.5/2.1	16/2.7
1600	2m/M5	-	10/1.7	12.5/2.1	16/2.7
+ weight (kg):		-	10	10	13

HO	Length (m)	M2 code	H3 (mm)	min R (mm)	Weight (kg)
12	A	431	90	900	210
19	C	561	144	900	220

Note: minR is minimum rail gauge when second brake is supplied
Standard rail gauges are 900, 1200, 1400, 1700, and 2000 mm

This document is the absolute property of R&M Materials Handling, Inc. This document must not be copied without the written permission of R&M Materials Handling, Inc. The contents thereof must not be disclosed to a third party nor be used for any unauthorized purpose. Contravention will be prosecuted.

Design	Chk	Appd	Ref Drawing	QA-H-02
Date	TROLLEY; DOUBLE GIRDER			1 of 8
DESIGNED BY	HIGH, 2 ROPE FALLS			1 of 8
OWNER DEPT				5
R&M	D002074-A			5