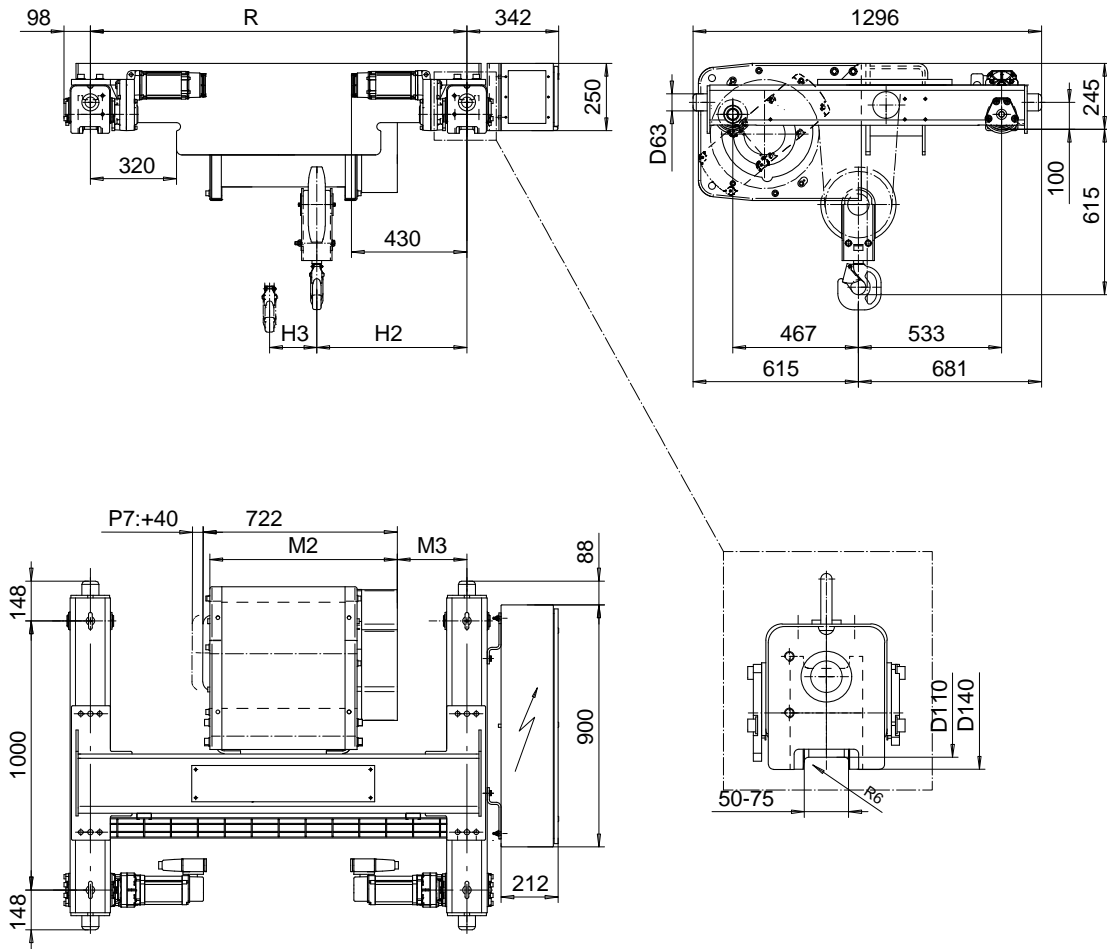


DOUBLE GIRDER, LOW CLEARANCE, 2 PART SINGLE

Hoist type:

SX5 021...DL

SI-50Hz



Load (kg)	Class Fem/ISO	Hoisting speed (m/min)			
		Gear+Motor code:			
		E+P5	F+P5	H+P6	J+P7
4000	3m/M6	8/1.3	10/1.7	16/2.7	20/3.3
5000	2m/M5	8/1.3	10/1.7	16/2.7	20/3.3
+ weight (kg):		-	-	30	40

HOL (m)	Length code	M2 (mm)	M3 (mm)	H2 (mm)	H3 (mm)	min R (mm)	Weight (kg)
18	D	697	259	558	176	1400	650
24	E	817	259	558	235	1400	675
32	F	967	372	671	309	1700	720
40	G	1157	522	821	403	2000	760

Note: minR is minimum rail gauge when second brake is supplied
Standard rail gauges are 1400, 1700, and 2000 mm.

This document is the absolute property of R&M Materials Handling, Inc. This document must not be copied without the written permission of R&M Materials Handling, Inc. The contents thereof must not be disclosed to a third party nor be used for any unauthorized purpose. Contravention will be prosecuted.

ETPAL Design 2002-08-29 Date	ETPAL Chd Appd	Ref Drawing	QC-W-02
SLEQDOCV Owner Dept	TROLLEY; DOUBLE GIRDER LOW, 2 ROPE FALLS		1 of 12 Folder
R&M MATERIALS HANDLING, INC. STEEL & CRANE PRODUCTS SHEPHERD, OHIO	D002115-A		Issue 6