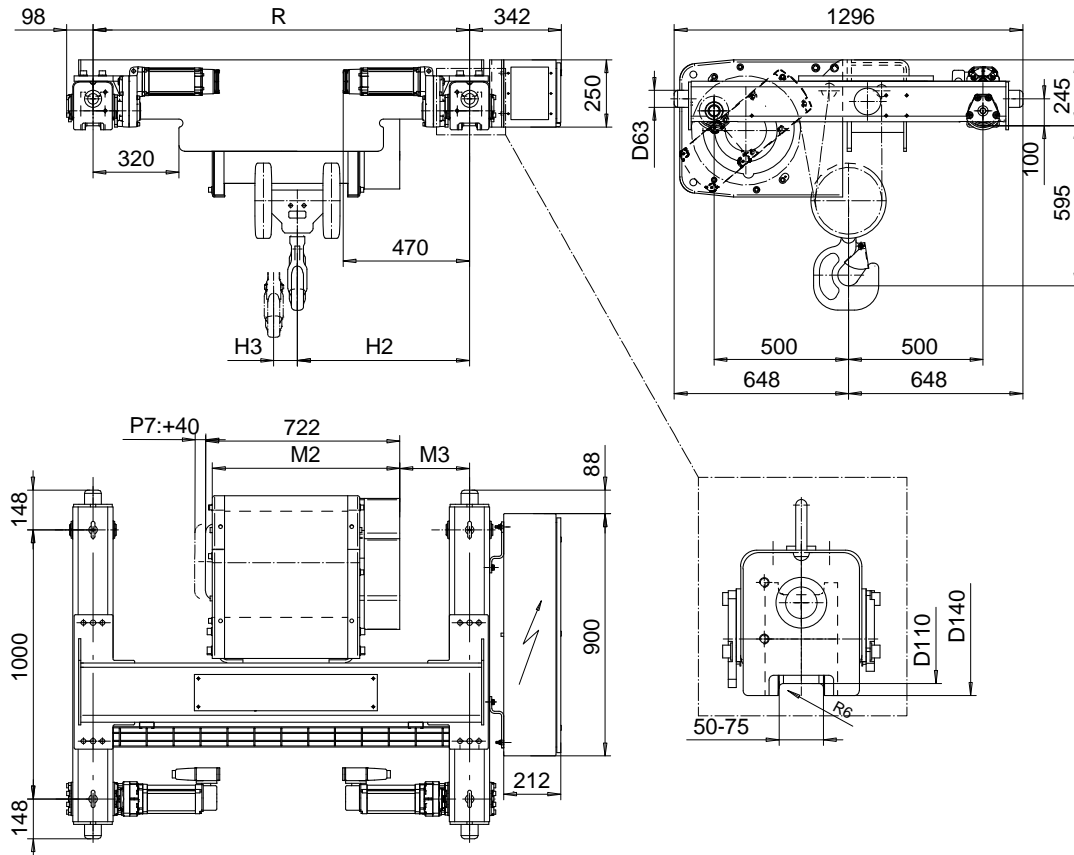


DOUBLE GIRDER, LOW CLEARANCE, 4 PART SINGLE

Hoist type:

SX5 041...DL

SI-50Hz



Load (kg)	Class Fem/ISO	Hoisting speed (m/min)			
		Gear+Motor code:			
		E+P5	F+P5	H+P6	J+P7
6300	3m/M6	4/0.7	5/0.8	8/1.3	10/1.7
8000	3m/M6	4/0.7	5/0.8	8/1.3	10/1.7
10000	2m/M5	4/0.7	5/0.8	8/1.3	10/1.7
+ weight (kg):		-	-	30	40

HOL (m)	Length code	M2 (mm)	M3 (mm)	H2 (mm)	H3 (mm)	min R (mm)	Weight (kg)
9	D	697	259	640	88	1400	670
12	E	817	259	640	118	1400	700
16	F	967	372	753	156	1700	745
20	G	1157	522	903	204	2000	785

Note: minR is minimum rail gauge when second brake is supplied
Standard rail gauges are 1400, 1700, and 2000 mm.

This document is the absolute property of R&M Materials Handling, Inc. This document must not be copied without the written permission of R&M Materials Handling, Inc. The contents thereof must not be disclosed to a third party nor be used for any unauthorized purpose. Contravention will be prosecuted.

ETFPAL Design 2002-08-30 Date	ETFPAL Chd Appd	Ref Drawing	QC-W-04
SLEQDOCV Owner Dept	TROLLEY; DOUBLE GIRDER LOW, 4 ROPE FALLS		1 of 12 Folder
R&M MATERIALS HANDLING, INC. HOIST & CRANE PRODUCTS SARASOTA, FL 34237	D002122-A		Issue 6