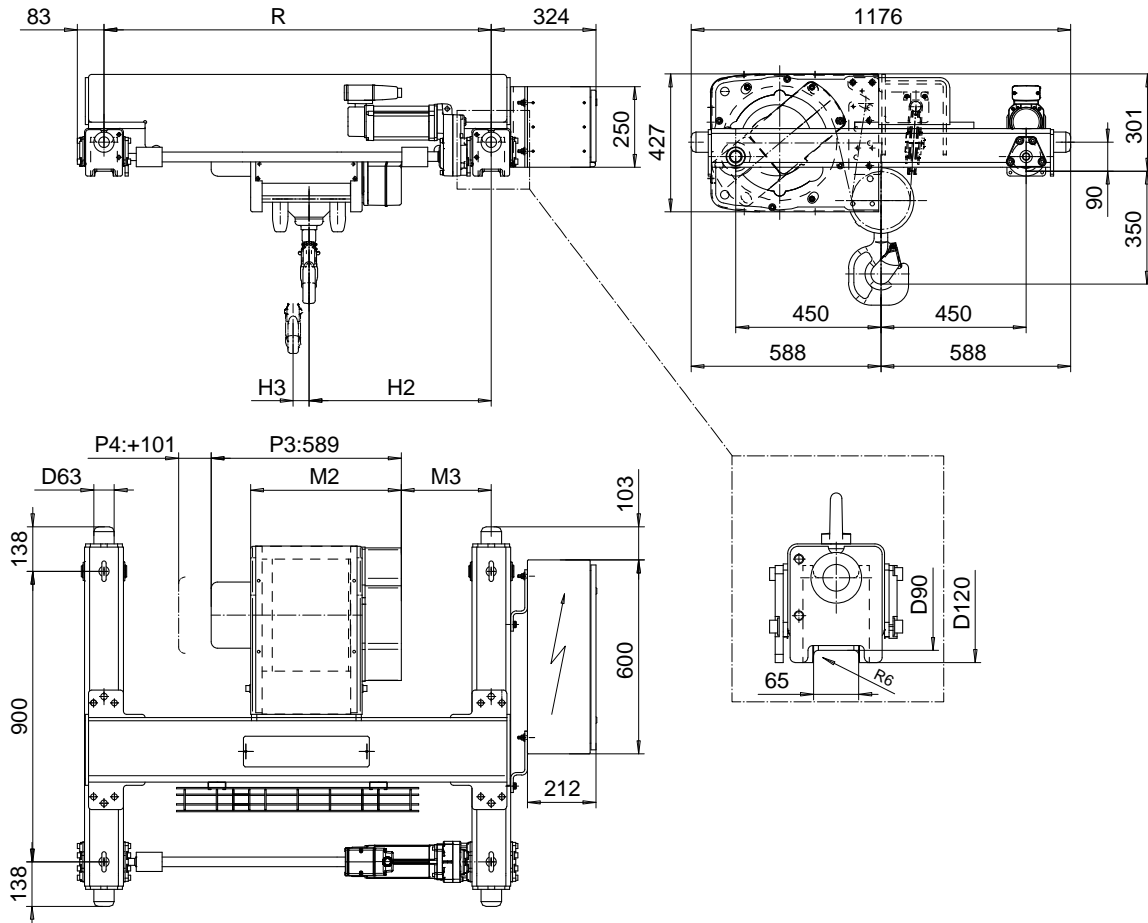


# DOUBLE GIRDER, MEDIUM, 4 PART SINGLE

Hoist type:  
SX4 041...D0

SI-60Hz





Load (kg)	Class Fem/ISO	Hoisting speed (m/min)		
		Gear+Motor code:		
		E+P3	F+P3	H+P4
3200	3m/M6	4.8/0.8	6/1	9.5/1.6
4000	3m/M6	4.8/0.8	6/1	9.5/1.6
5000	2m/M5	4.8/0.8	6/1	9.5/1.6
+ weight (kg):		-	-	20

HOL (m)	Length code	M2 (mm)	M3 (mm)	H2 (mm)	H3 (mm)	min R (mm)	Weight (kg)
6	B	467	280	565	49	1200	315
9	C	567	280	565	74	1200	325
12	D	667	352	637	99	1400	340
15	E	787	352	637	129	1400	360

Note: minR is minimum rail gauge when second brake is supplied  
Standard rail gauges are 1200, 1400, 1700, and 2000 mm

This document is the absolute property of R&M Materials Handling, Inc. This document must not be copied without the written permission of R&M Materials Handling, Inc. The contents thereof must not be disclosed to a third party nor be used for any unauthorized purpose. Contravention will be prosecuted.

Design	Chd	Appd	Ref Drawing	QB-M-04
Date	TROLLEY; DOUBLE GIRDER			 1:10 Tolerance
SLEPQEN01 Owner Dept	MEDIUM, 4 ROPE FALLS			
 R&M MATERIALS HANDLING, INC. RISE & CORE DIVISION SHEPPARD, OHIO	D002095-A			Drawn 4