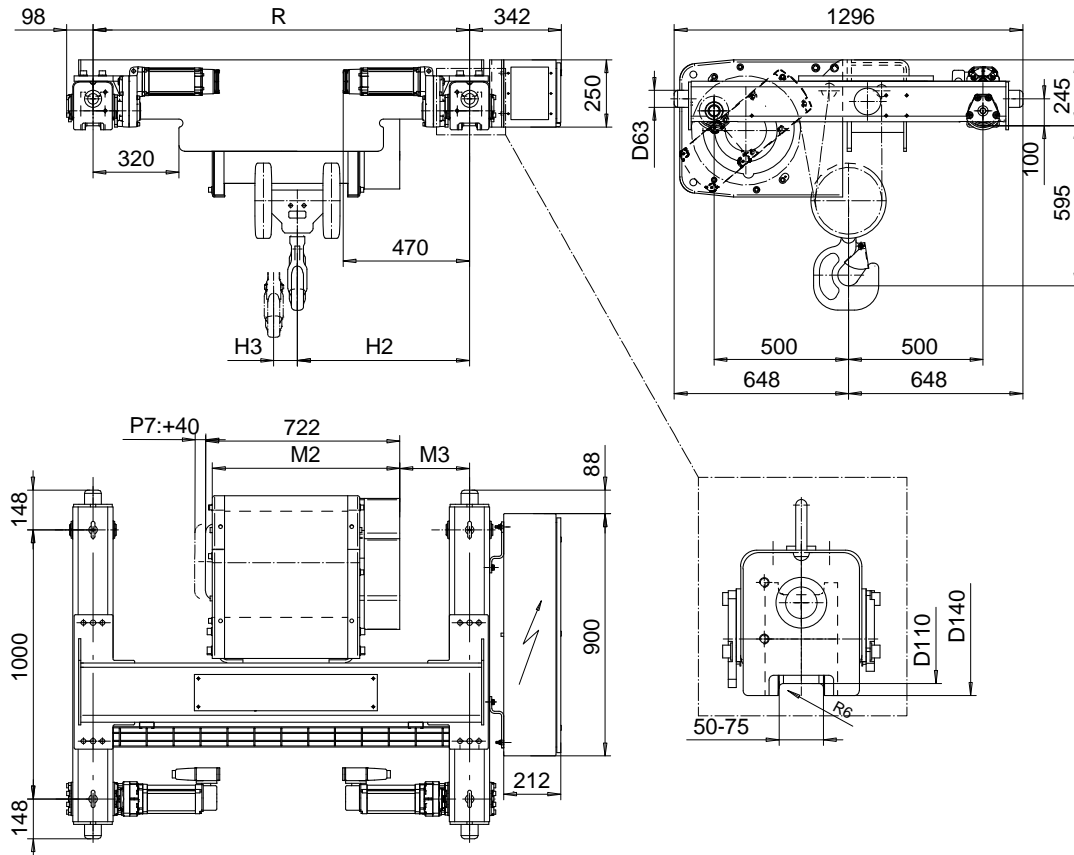


# DOUBLE GIRDER, LOW CLEARANCE, 4 PART SINGLE

Hoist type:

SI-60Hz

SX5 041...DL



Load (kg)	Class Fem/ISO	Hoisting speed (m/min)			
		Gear+Motor code:			
		E+P5	F+P5	H+P6	J+P7
6300	3m/M6	4.8/0.8	6/1	9.5/1.6	12/2
8000	3m/M6	4.8/0.8	6/1	9.5/1.6	12/2
10000	2m/M5	4.8/0.8	6/1	9.5/1.6	12/2
+ weight (kg):		-	-	30	40

HOL (m)	Length code	M2 (mm)	M3 (mm)	H2 (mm)	H3 (mm)	min R (mm)	Weight (kg)
9	D	697	259	640	88	1400	670
12	E	817	259	640	118	1400	700
16	F	967	372	753	156	1700	745
20	G	1157	522	903	204	2000	785

Note: minR is minimum rail gauge when second brake is supplied  
Standard rail gauges are 1400, 1700, and 2000 mm.

This document is the absolute property of R&M Materials Handling, Inc. This document must not be copied without the written permission of R&M Materials Handling, Inc. The contents thereof must not be disclosed to a third party nor be used for any unauthorized purpose. Contravention will be prosecuted.

ETFPAL Design	ETFPAL Chd	Appd	Ref Drawing	QC-W-04
2002-08-30 Date	TROLLEY; DOUBLE GIRDER			1 of 12 Folder
SLEQDOCV Owner Dept	LOW, 4 ROPE FALLS			
R&M MATERIALS HANDLING, INC. 5000 W. 10TH ST. MILWAUKEE, WI 53214	D002122-A			Issue 6