

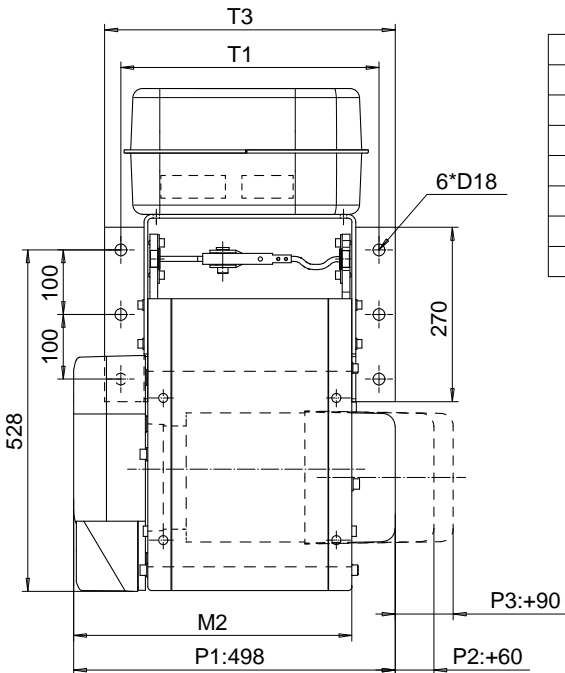
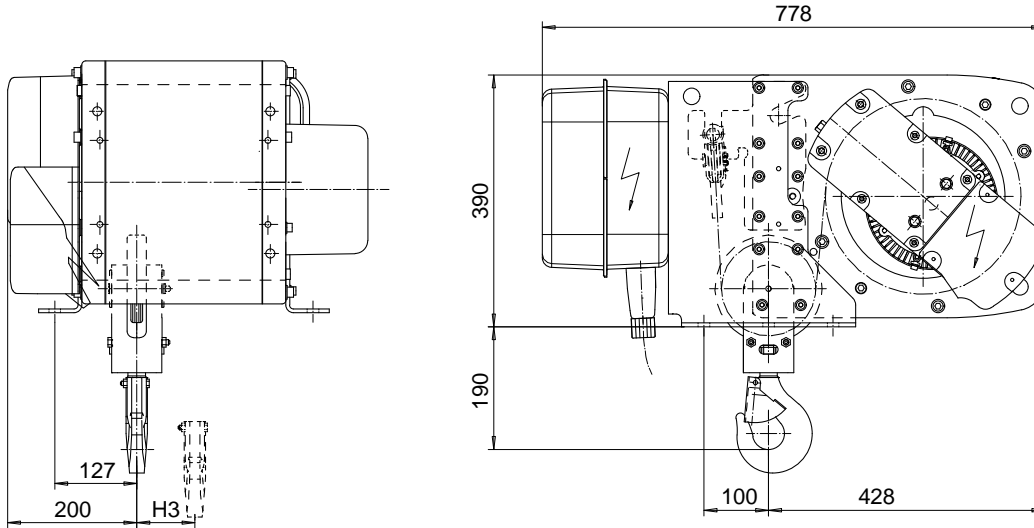
FOOT MOUNT, 2 PART SINGLE

Hoist type:

SX2 021..F0

SX3 021..F0

SI-50Hz



Load (kg)	Class Fem/ISO	Hoisting speed (m/min)			
		Gear+Motor code:			
		F+P1	F+P2	G+P2	H+P3
800	3m/M6	10/1.7	10/1.7	12.5/2.1	16/2.7
1000	2m/M5	10/1.7	10/1.7	12.5/2.1	16/2.7
1250	3m/M6	-	10/1.7	12.5/2.1	16/2.7
1600	2m/M5	-	10/1.7	12.5/2.1	16/2.7
+ weight (kg):		-	10	10	13

HOL (m)	Length code	M2 (mm)	H3 (mm)	T1 (mm)	T3 (mm)	Weight (kg)
12	A	431	90	400	450	125
19	C	561	144	530	580	135

This document is the absolute property of R&M Materials Handling, Inc. This document must not be copied without the written permission of R&M Materials Handling, Inc. The contents thereof must not be disclosed to a third party nor be used for any unauthorized purpose. Contravention will be prosecuted.

Design	Drawn	Appd	Ref Drawing	QA-F-02
Date	HOIST: FIXED			
SLE/ME/CE	2 ROPE FALLS			
Owner Dept				
R&M	R&M MATERIALS HANDLING, INC. RISKS & CORRECTIONS SHEWAN/UMI			
	D002071-A			
	4			