

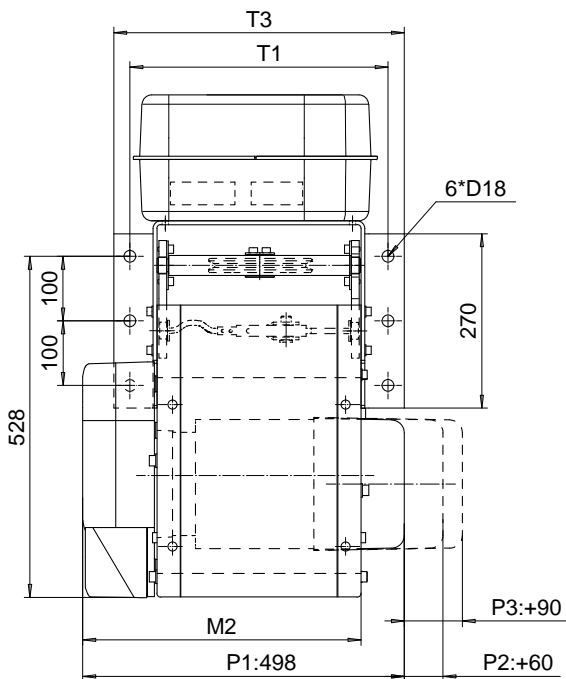
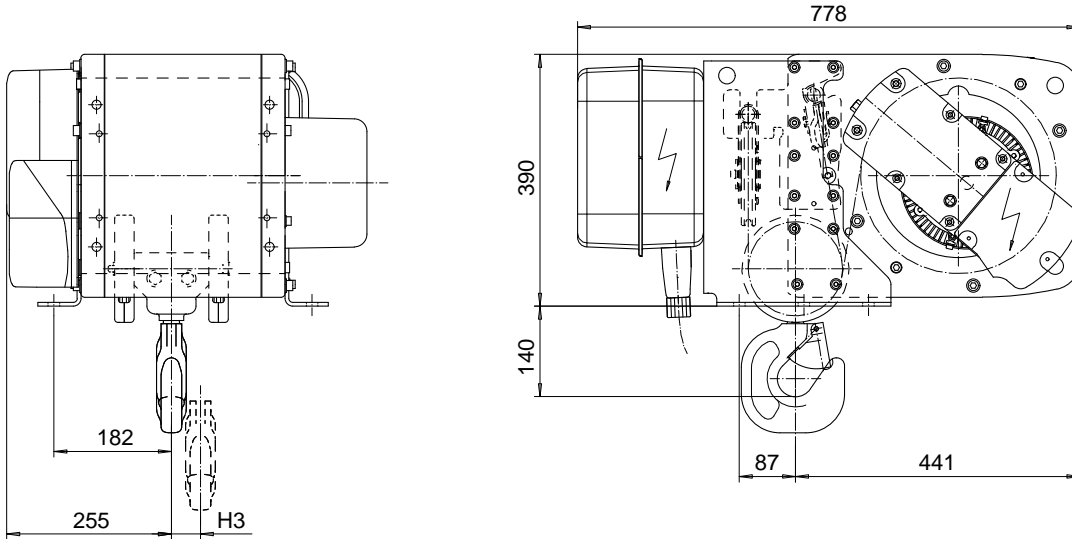
# FOOT MOUNT, 4 PART SINGLE

Hoist type:

SX2 041..F0

SX3 041..F0

SI-50Hz



Load (kg)	Class Fem/ISO	Hoisting speed (m/min)			
		Gear+Motor code:			
		F+P1	F+P2	G+P2	H+P3
1600	3m/M6	5/0.8	5/0.8	6.3/1.1	8/1.3
2000	2m/M5	5/0.8	5/0.8	6.3/1.1	8/1.3
2500	3m/M6	-	5/0.8	6.3/1.1	8/1.3
3200	2m/M5	-	5/0.8	6.3/1.1	8/1.3
+ weight (kg):		-	10	10	13

HOL (m)	Length code	M2 (mm)	H3 (mm)	T1 (mm)	T3 (mm)	Weight (kg)
6	A	431	45	400	450	130
9.5	C	561	72	530	580	140

This document is the absolute property of R&M Materials Handling, Inc. This document must not be copied without the written permission of R&M Materials Handling, Inc. The contents thereof must not be disclosed to a third party nor be used for any unauthorized purpose. Contravention will be prosecuted.

Design	Chk	Appd	Ref Drawing	QA-F-04
Date	HOIST: FIXED			
SLE/ME/CE	4 ROPE FALLS			
Owner Dept				
R&M	D002078-A			
REVISED	4			