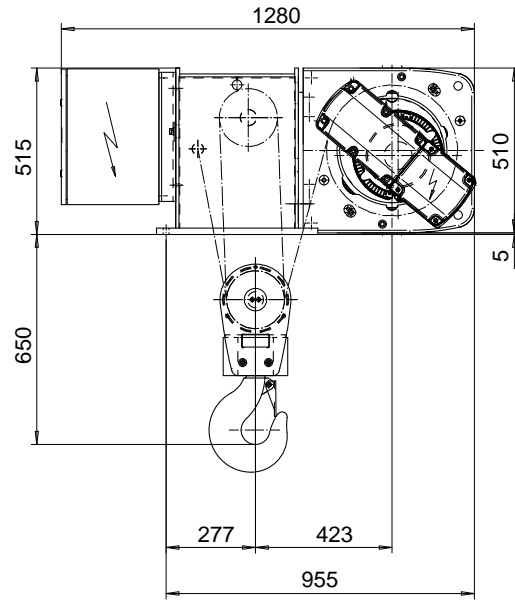
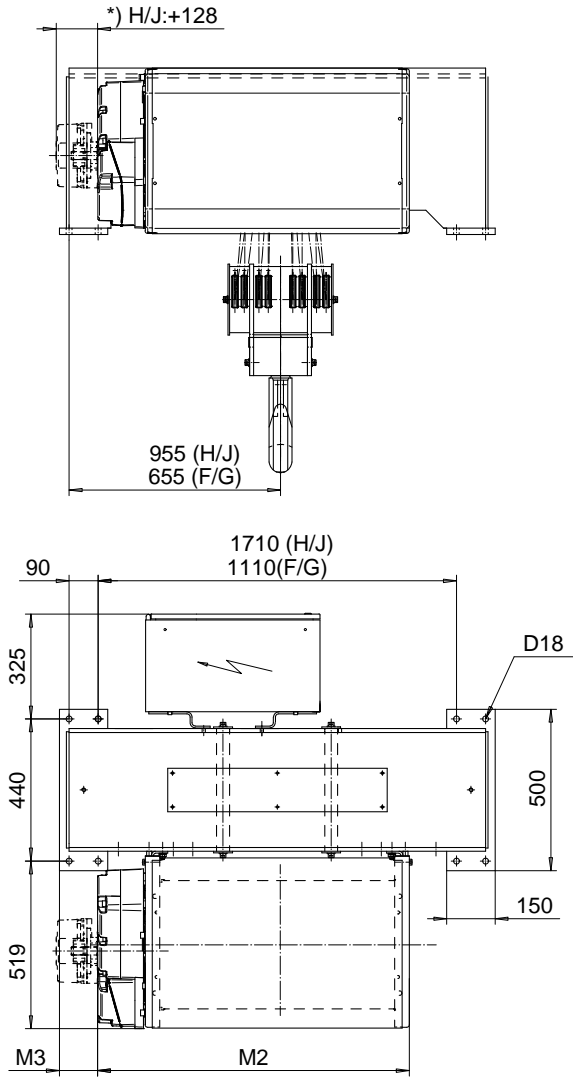


FOOT MOUNT, 8 PART DOUBLE
 Hoist type:
 SX5 082...F0

SI-50Hz



Load (kg)	Class Fem/ISO	Hoisting speed (m/min)		
		Gear+Motor code:		
		F+P5	H+P6	J+P7
16000	2m/M5	2.5/0.4	4/0.7	5/0.8
20000	1Am/M4	2.5/0.4	4/0.7	5/0.8
+ weight (kg):		-	30	40

HOL (m)	Length code	M2 (mm)	M3 (mm)	Weight (kg)
4.5	F	966	118	550
6	G	1156	23	610
8	H	1406	198	725
11.5	J	1756	23	1000

Primary brake is mounted on gearcase for drum lengths H and J.

This document is the absolute property of R&M Materials Handling, Inc. This document must not be copied without the written permission of R&M Materials Handling, Inc. The contents thereof must not be disclosed to a third party nor be used for any unauthorized purpose. Contravention will be prosecuted.

ETFPAL Design	ETFPAL Chd	Appd	Ref Drawing	QC-F-28
2002-08-30 Date	HOIST; FIXED			1-10 Folder
SLEQDOCV Owner Dept	2x8 ROPE FALLS			Issue
R&M MATERIALS HANDLING, INC. HOIST & GEAR PRODUCTS SHELDONVILLE, OHIO	D002133-A			5