

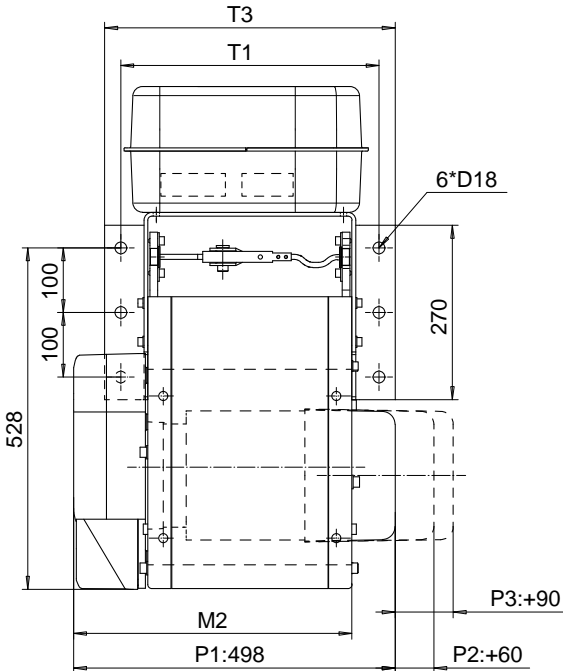
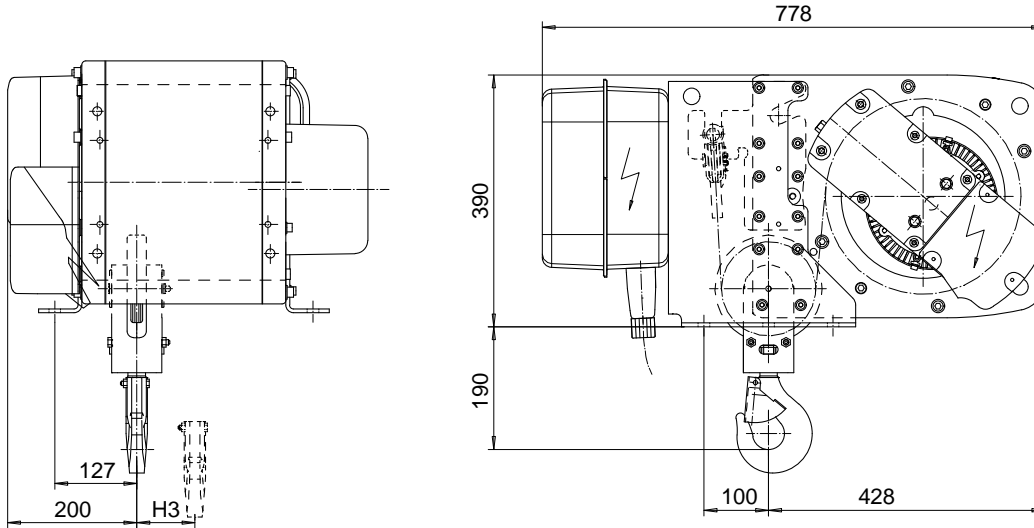
# FOOT MOUNT, 2 PART SINGLE

Hoist type:

SX2 021..F0

SX3 021..F0

SI-60Hz



Load (kg)	Class Fem/ISO	Hoisting speed (m/min)			
		F+P1	F+P2	G+P2	H+P3
800	3m/M6	12/2	12/2	15/2.5	19/3.2
1000	2m/M5	12/2	12/2	15/2.5	19/3.2
1250	3m/M6	-	12/2	15/2.5	19/3.2
1600	2m/M5	-	12/2	15/2.5	19/3.2
+ weight (kg):		-	10	10	13

HOL (m)	Length code	M2 (mm)	H3 (mm)	T1 (mm)	T3 (mm)	Weight (kg)
12	A	431	90	400	450	125
19	C	561	144	530	580	135

This document is the absolute property of R&M Materials Handling, Inc. This document must not be copied without the written permission of R&M Materials Handling, Inc. The contents thereof must not be disclosed to a third party nor be used for any unauthorized purpose. Contravention will be prosecuted.

Design	Drawn	Appd	Ref Drawing	QA-F-02
Date	HOIST: FIXED			1/5
SLEWMECE Owner Dept	2 ROPE FALLS			Pol/Rev
R&M MATERIALS HANDLING, INC. RUST & CORB SERVICES SHEWAN, USA	D002071-A			Drawn 4