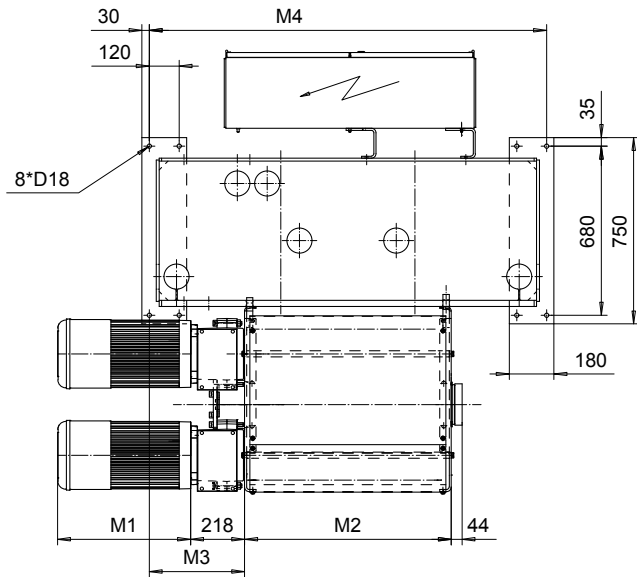
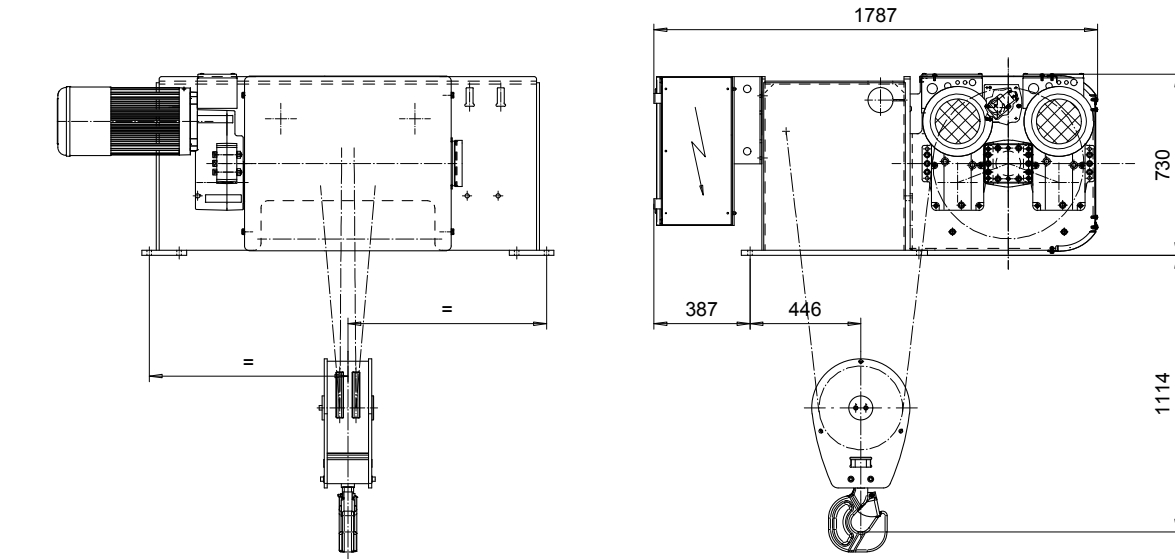


FOOT MOUNT, 2 PART DOUBLE

Hoist type:

SX7 022...F0

SI-60Hz



Motor	P6,T6,T7	P7
M1 (mm)	536	576

HOL (m)	Length code	M2 (mm)	M3 (mm)	M4 (mm)	Weight (kg)
15.5	F	832	384	1600	1950
20.5	G	1022	289	1600	2050
27.5	H	1272	164	1600	2150
37.5	J	1622	489	2600	2750
46	K	1922	339	2600	2950
55.5	L	2272	164	2600	3200
62.5	M	2522	464	3450	3700
71	N	2822	314	3450	3900

Load (kg)	Class Fem/ISO	Hoisting motor				
		Hoisting speed (m/min): Gear code				
		9.6/1.4: E	12/1.9: F	15/2.4: G	19.2: H	24: J
12500	3m/M6	P6,T6	P6,T6	P7,T7	T8	T9
16000	2m/M5	P6,T6	P6,T6	P7,T7	T8	T9
20000	1Am/M4	P6,T6	P7,T7	T8	T9	-

ETFPAL	ETFPAL	Appd	Ref Drawing	QE-F-22
Design	2003-01-13	HOIST; FIXED		
Date	SLEQDOCV	2x2 ROPE FALLS		
Owner Dept	R&M	D002331-A		
Issue	5	5		

This document is the absolute property of R&M Materials Handling, Inc. This document must not be copied without the written permission of R&M Materials Handling, Inc. The contents thereof must not be disclosed to a third party nor be used for any unauthorized purpose. Contravention will be prosecuted.