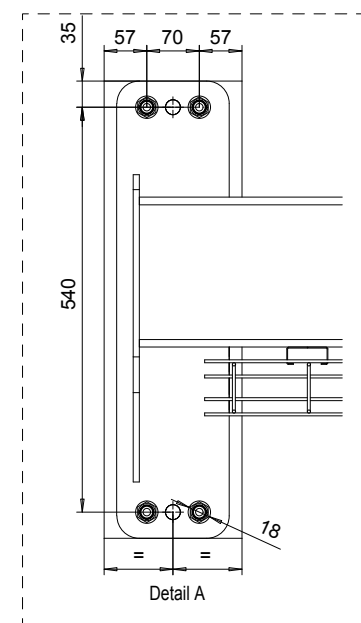
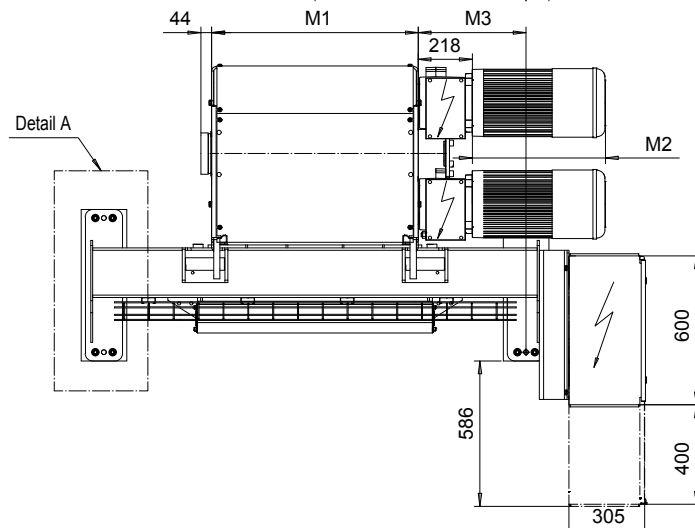
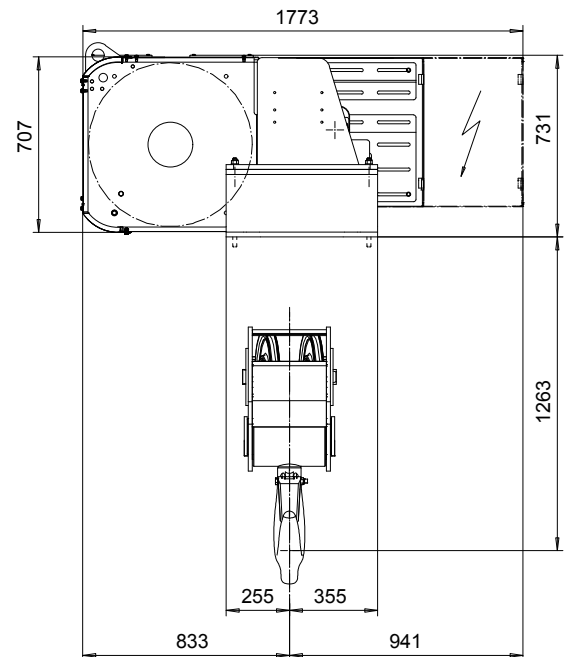
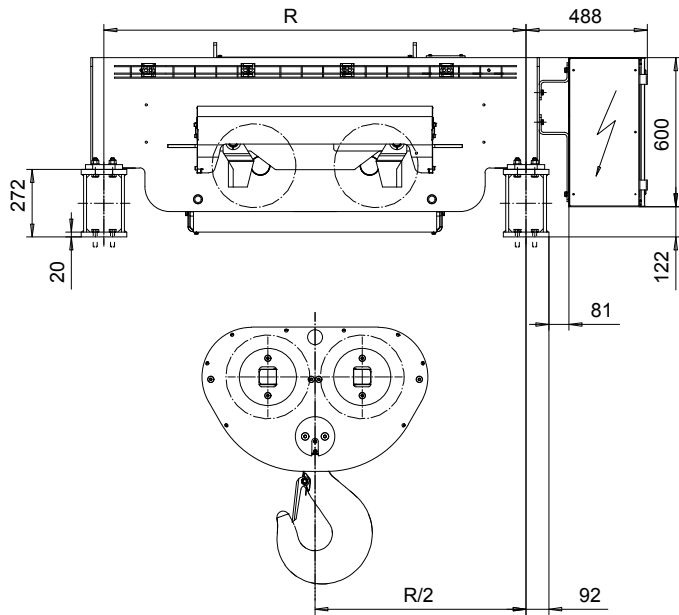


FOOT MOUNT, 4 PART DOUBLE

Hoist type:

SX7 042...F0

SI-60Hz



Load (kg)	Class Fem/ISO	Hoisting motor				
		Hoisting speed (m/min): Gear code				
		4.8/0.7: E	6/0.9: F	7.5/1.2: G	9.6: H	12: J
25000	3m/M6	P6,T6	P6,T6	P7,T7	T8	T9
32000	2m/M5	P6,T6	P6,T6	P7,T7	T8	T9
40000	1Am/M4	P6,T6	P7,T7	T8	T9	-

HOL (m)	Length code	M1 (mm)	M3 (mm)	R (mm)	Weight (kg)
7.5	F	832	434	1700	1500
10	G	1022	339	1700	1500
13.5	H	1272	565	2400	1700
18.5	J	1622	389	2400	1800
23	K	1922	339	3100	2100
27.5	L	2272	414	3100	2200
31	M	2522	840	3800	2500
35.5	N	2822	690	3800	2600

Motor	P6,T6,T7,T8	P7	T9
M2 (mm)	536	576	536
Wgt (kg)	85	105	92

Hoist weight calculated with P6 motor weight.

This document is the absolute property of R&M Materials Handling, Inc. This document must not be copied without the written permission of R&M Materials Handling, Inc. The contents thereof must not be disclosed to a third party nor be used for any unauthorized purpose. Contravention will be prosecuted.

ETTPAL Design	ETTPAL Chd	Appd	Ref Drawing	QE-F-24
2003-01-13 Date	HOIST; FIXED			1:13
SLEIDDQCV Owner Dept	2x4 ROPE FALLS			Folder
R&M MATERIALS HANDLING INC.	D006945-A			Issue 1/2011