

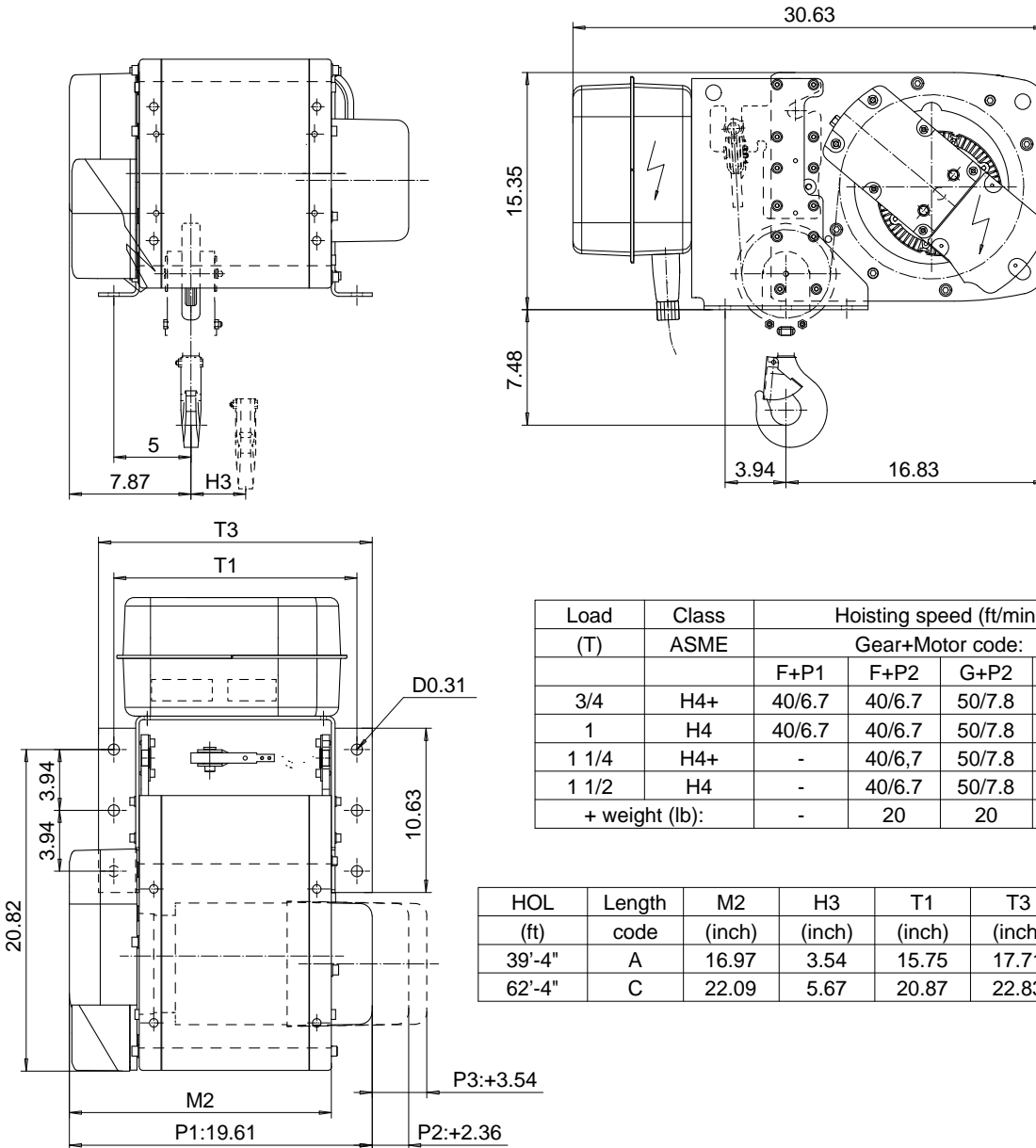
FOOT MOUNT, 2 PART SINGLE

Hoist type:

SX2 021..F0

SX3 021..F0

US-60Hz



Load (T)	Class ASME	Hoisting speed (ft/min)			
		Gear+Motor code:			
		F+P1	F+P2	G+P2	H+P3
3/4	H4+	40/6.7	40/6.7	50/7.8	60/9.8
1	H4	40/6.7	40/6.7	50/7.8	60/9.8
1 1/4	H4+	-	40/6.7	50/7.8	60/9.8
1 1/2	H4	-	40/6.7	50/7.8	60/9.8
+ weight (lb):		-	20	20	26

HOL (ft)	Length code	M2 (inch)	H3 (inch)	T1 (inch)	T3 (inch)	Weight (lb)
39'-4"	A	16.97	3.54	15.75	17.71	250
62'-4"	C	22.09	5.67	20.87	22.83	270

This document is the absolute property of R&M Materials Handling, Inc. This document must not be copied without the written permission of R&M Materials Handling, Inc. The contents thereof must not be disclosed to a third party nor be used for any unauthorized purpose. Contravention will be prosecuted.

Design	Rev	Appd	Ref Drawing	QA-F-02
Date	HOIST: FIXED			1/8 Tol/Inch
SLE/ME/CE Owner Dept	2 ROPE FALLS			
R&M MATERIALS HANDLING, INC. DESIGN & CONSTRUCTION SOLUTIONS, INC.	D002071-A			Drawn 4