

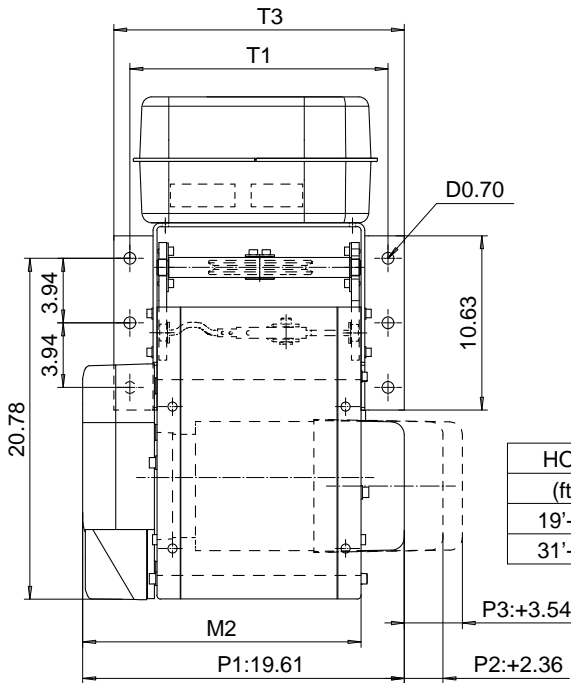
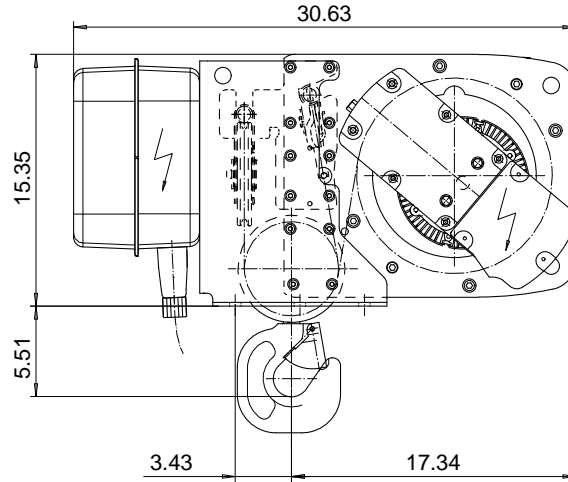
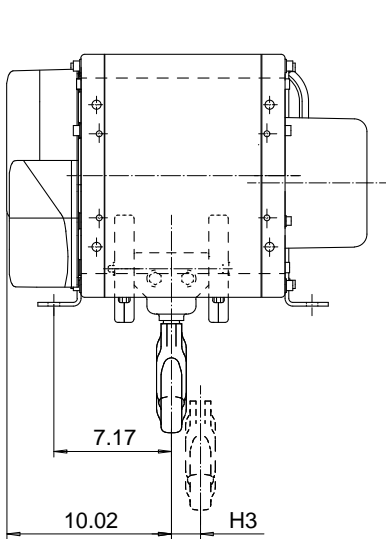
FOOT MOUNT, 4 PART SINGLE

Hoist type:

SX2 041..F0

SX3 041..F0

US-60Hz



Load (T)	Class ASME	Hoisting speed (ft/min)			
		Gear+Motor code:			
		F+P1	F+P2	G+P2	H+P3
1 1/2	H4+	20/3.1	20/3.1	25/3.9	30/4.9
2	H4	20/3.1	20/3.1	25/3.9	30/4.9
2 1/2	H4+	-	20/3.1	25/3.9	30/4.9
3	H4	-	20/3.1	25/3.9	30/4.9
+ weight (lb):		-	20	20	26

HOL (ft)	Length code	M2 (inch)	H3 (inch)	T1 (inch)	T3 (inch)	Weight (lb)
19'-8"	A	16.97	1.77	15.75	17.71	260
31'-2"	C	22.09	2.83	20.87	22.83	280

This document is the absolute property of R&M Materials Handling, Inc. This document must not be copied without the written permission of R&M Materials Handling, Inc. The contents thereof must not be disclosed to a third party nor be used for any unauthorized purpose. Contravention will be prosecuted.

Design	Chk	Appd	Ref Drawing	QA-F-04
Date	HOIST: FIXED			
SLE/ME/CE	4 ROPE FALLS			
Owner Dept				
R&M	R&M MATERIALS HANDLING, INC. ROPE & CABLE SERVICES SHEWAN, USA			
	D002078-A			
	4			