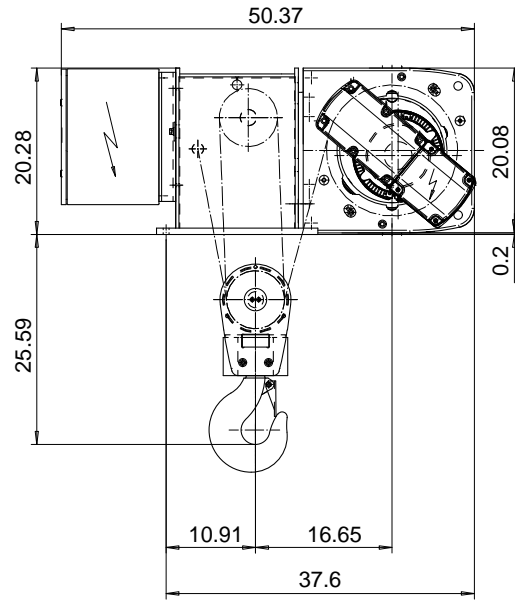
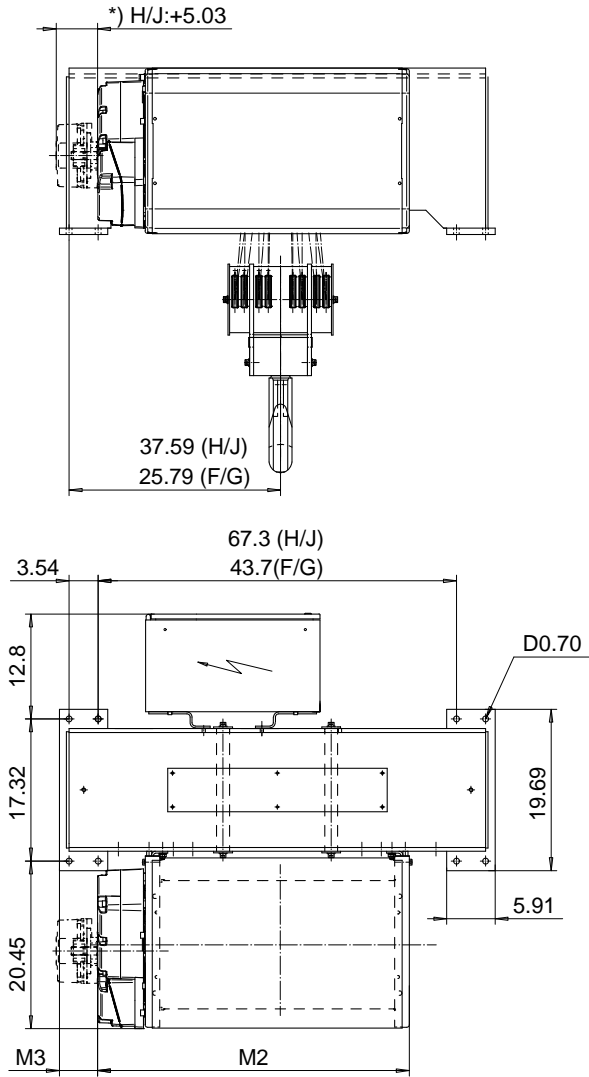


FOOT MOUNT, 8 PART DOUBLE  
 Hoist type:  
 SX5 082...F0

US-60Hz



Load (TON)	Class ASME	Hoisting speed (ft/min)		
		Gear+Motor code:		
		F+P5	H+P6	J+P7
15	H4	10/1.5	16/2.4	20/3.1
20	H3	10/1.5	16/2.4	20/3.1
+ weight (lb):		-	60	80

HOL (ft)	Length code	M2 (inch)	M3 (inch)	Weight (lb)
14'-9"	F	38.03	4.64	1100
19'-8"	G	45.51	0.90	1220
26'-2"	H	55.35	7.79	1450
37'-8"	J	69.13	0.90	2000

Primary brake is mounted on gearcase for drum lengths H and J.

This document is the absolute property of R&M Materials Handling, Inc. This document must not be copied without the written permission of R&M Materials Handling, Inc. The contents thereof must not be disclosed to a third party nor be used for any unauthorized purpose. Contravention will be prosecuted.

ETTPAL Design 2002-08-30 Date	ETTPAL Chd Appd	Ref Drawing	QC-F-28
SLEQDOCV Owner Dept	HOIST; FIXED 2x8 ROPE FALLS		1-10 Folder
R&M MATERIALS HANDLING, INC. HOIST & CRANE PRODUCTS SARASOTA, FL 34237	D002133-A		Issue 5