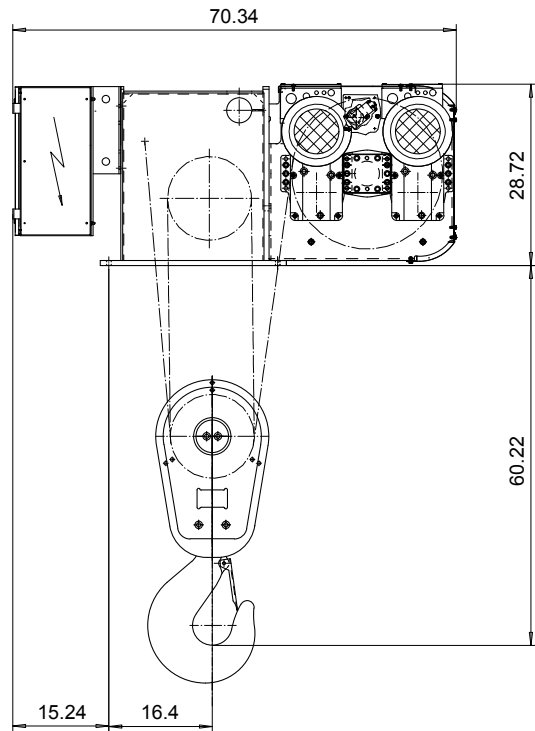
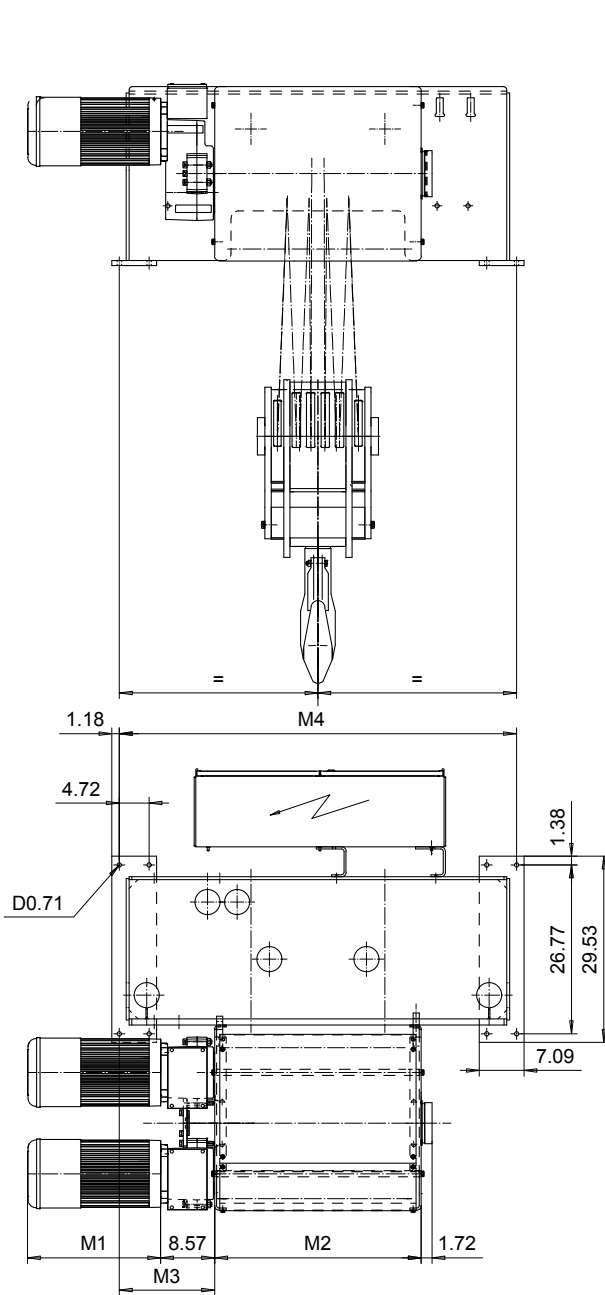


**FOOT MOUNT, 6 PART DOUBLE**  
**Hoist type:**  
**SX7 062...F0**

**US-60Hz**



Motor	P6,T6,T7	P7
M1 (inch)	21.10	22.67

HOL (ft)	Length code	M2 (inch)	M3 (inch)	M4 (inch)	Weight (lb)
16'-4"	F	32.75	15.11	62.99	4800
21'-3"	G	40.23	11.37	62.99	5000
29'-6"	H	50.07	6.45	62.99	5200
41'-0"	J	63.85	19.25	102.36	6400
49'-2"	K	75.66	13.34	102.36	6800
60'-8"	L	89.44	6.45	102.36	7200
67'-6"	M	99.29	18.26	135.82	8200
77'-1"	N	111.10	12.36	135.82	8600

Load (TON)	Class ASME	Hoisting motor				
		Hoisting speed (ft/min): Gear code				
		10/1.6: E	12.5/1.9: F	16/2.3: G	20: H	25: J
40	H4+	P6,T6	P6,T6	P7,T7	T8	T9
50	H4	P6,T6	P6,T6	P7,T7	T8	T9
60	H3	P6,T6	P7,T7	T8	T9	-

This document is the absolute property of R&M Materials Handling, Inc. This document must not be copied without the written permission of R&M Materials Handling, Inc. The contents thereof must not be disclosed to a third party nor be used for any unauthorized purpose. Contravention will be prosecuted.

ETFPAL Design 2003-01-13 Date SLEQDOCV Owner Dept	ETFPAL Chd Appd Ref Drawing	QE-F-26
R&M R&M MATERIALS HANDLING, INC. HOIST & CRANE PRODUCTS SERVING THE INDUSTRY SINCE 1954	HOIST; FIXED 2X6 ROPE FALLS	1 of 13 Folder
	D002335-A	Issue 6