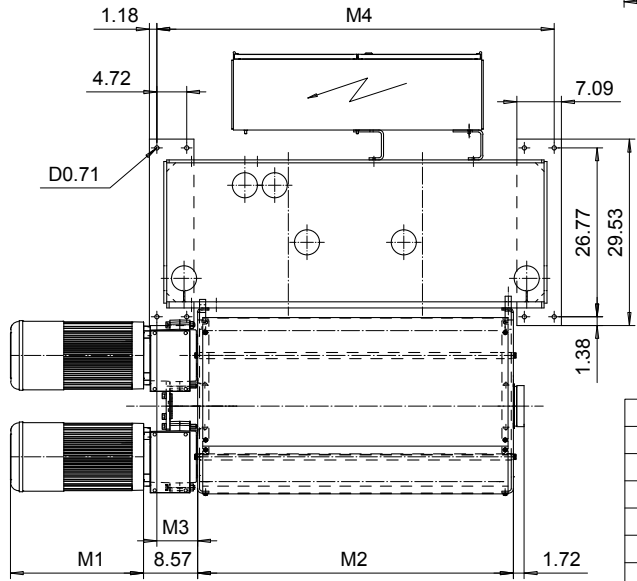
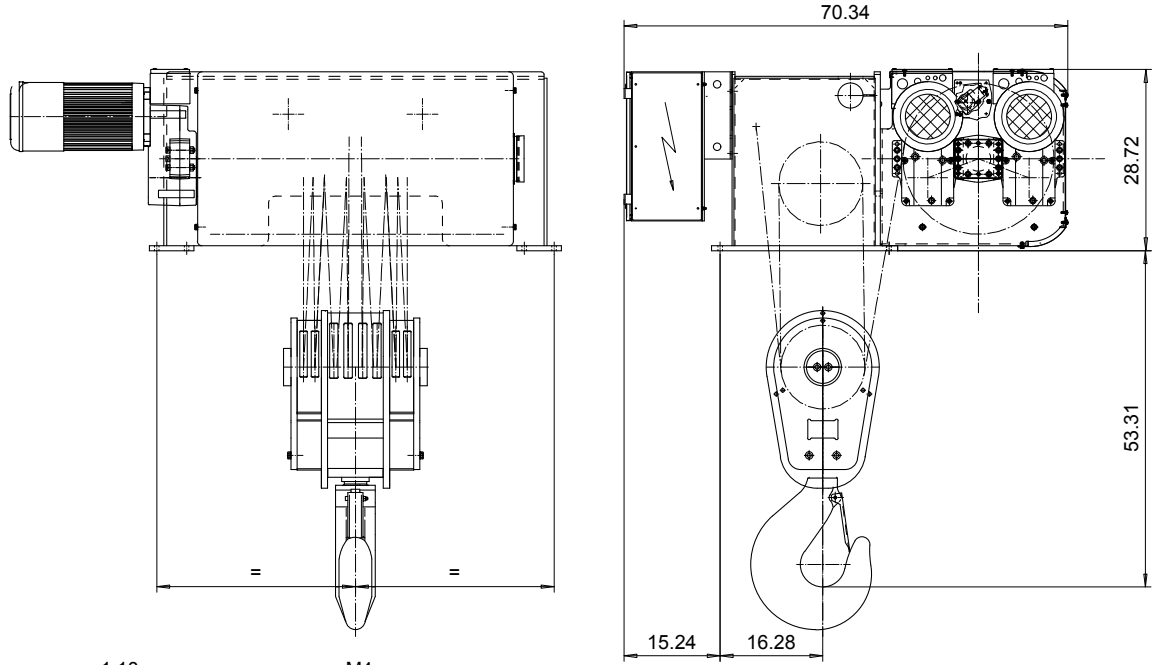


**FOOT MOUNT, 8 PART DOUBLE**  
 Hoist type:  
 SX7 082...F0

US-60Hz



Motor	P6,T6,T7	P7
M1 (inch)	21.10	22.67

HOL (ft)	Length code	M2 (inch)	M3 (inch)	M4 (inch)	Weight (lb)
21'-3"	H	50.07	6.45	62.99	5700
29'-6"	J	63.85	19.25	102.36	6900
36'-1"	K	75.66	13.34	102.36	7300
44'-3"	L	89.44	6.45	102.36	7700
50'-10"	M	99.29	18.26	135.82	8700
57'-4"	N	111.10	12.36	135.82	9100

Load (TON)	Class ASME	Hoisting motor				
		Hoisting speed (ft/min): Gear code				
		8/1.2: E	10/1.6: F	12.8/2: G	16: H	20: J
60	H4	P6,T6	P6,T6	P7,T7	T8	T9
75	H3	P6,T6	P7,T7	T8	T9	-

ETFPAL	ETFPAL	Appd	Ref Drawing	QE-F-28
Design	2003-01-13	Date	HOIST; FIXED	
SLEQDOCV	Owner Dept	2X8 ROPE FALLS		1 of 15
R&M	800 MATERIALS HANDLING, INC.	D002337-A		5

This document is the absolute property of R&M Materials Handling, Inc. This document must not be copied without the written permission of R&M Materials Handling, Inc. The contents thereof must not be disclosed to a third party nor be used for any unauthorized purpose. Contravention will be prosecuted.