

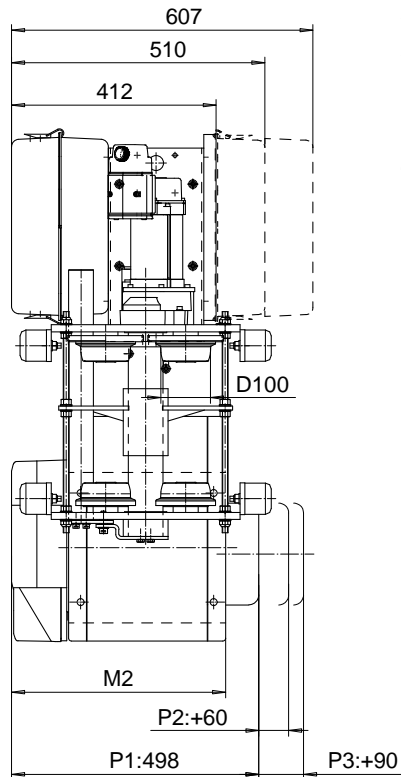
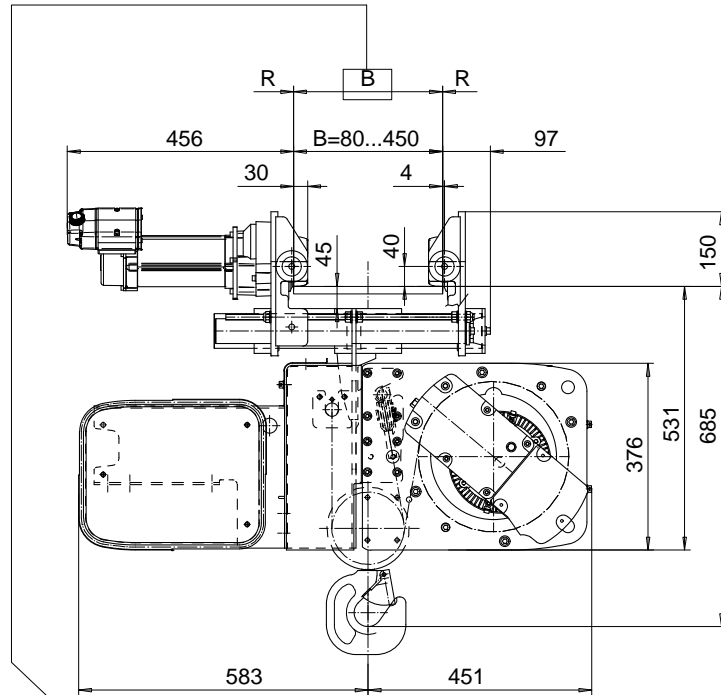
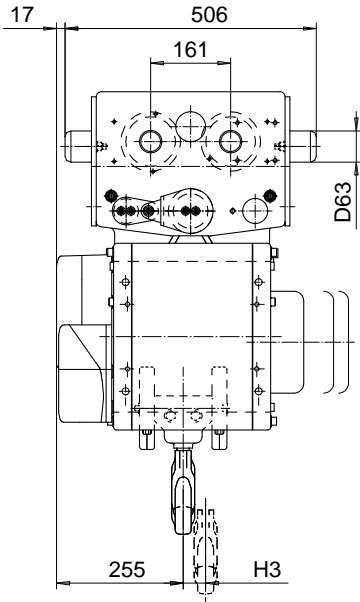
NORMAL HEADROOM, 4 PART SINGLE

Hoist type:

SX2041..N0

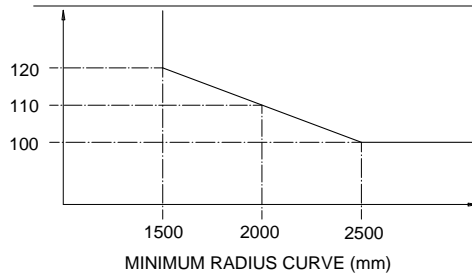
SX3041..N0

SI-50Hz



FLANGE WIDTH, B (mm)

MINIMUM RADIUS CURVE CHART



Load (kg)	Class Fem/ISO	Hoisting speed (m/min)			
		F+P1	F+P2	G+P2	H+P3
1600	3m/M6	5/0.8	5/0.8	6.3/1.1	8/1.3
2000	2m/M5	5/0.8	5/0.8	6.3/1.1	8/1.3
2500	3m/M6	-	5/0.8	6.3/1.1	8/1.3
3200	2m/M5	-	5/0.8	6.3/1.1	8/1.3
+ weight (kg):		-	10	10	13

HOL (m)	Length code	M2 (mm)	H3 (mm)	Weight (kg)
6	A	431	45	255
9.5	C	561	72	275

This document is the absolute property of R&M Materials Handling, Inc. This document must not be copied without the written permission of R&M Materials Handling, Inc. The contents thereof must not be disclosed to a third party nor be used for any unauthorized purpose. Contravention will be prosecuted.

ETPAL Design 2002-08-26 Date	ETPAL Chd Appd	Ref Drawing	QA-N-04
SLEQDOCV Owner Dept	TROLLEY; NORMAL HEADROOM 4 ROPE FALLS		1 of 6-5 Folder
R&M R&M MATERIALS HANDLING, INC. HOIST & CRANE PRODUCTS SHELLEBURGH, OHIO	D002082-A		Issue 4