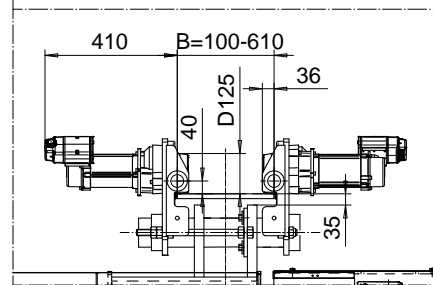
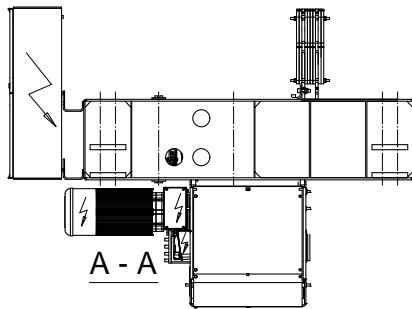
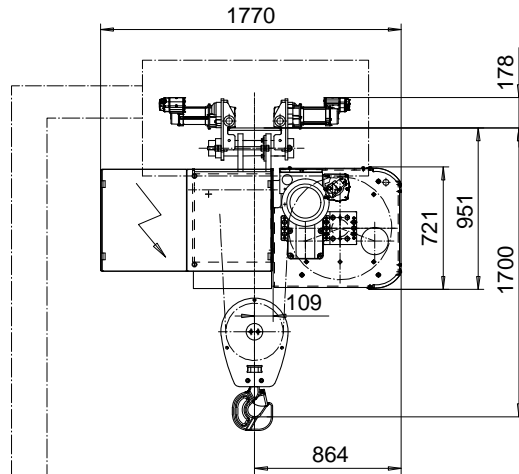
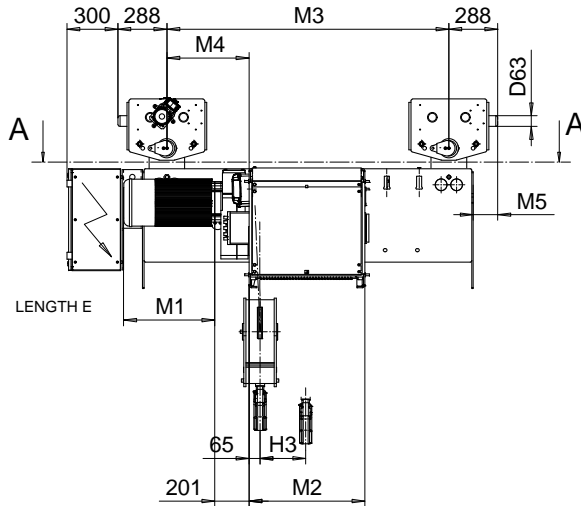
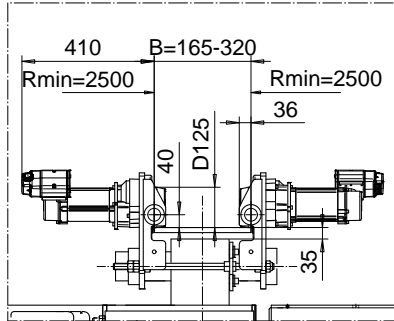


NORMAL HEADROOM, 2 PART SINGLE
Hoist type:
SX6 021...N0

SI-50Hz



OPTION: CURVED TRACK SUSPENSION



Motor	P6,T6,T7,T8,T9	P7,TA	P8
M1 (mm)	536	576	711

HOL (m)	Length code	M2 (mm)	M3 (mm)	M4 (mm)	M5 (mm)	H3 (mm)	Weight (kg)
15.5	C	462	1200	484	145	139	1575
21	D	562	1200	484	145	188	1600
28	E	682	1660	484	145	251	1750
36	F	832	1660	484	145	322	1850
47	G	1022	1660	484	145	421	2000
61	H	1272	2000	574	-270	546	2250
80.5	J	1622	2000	574	-270	721	2550
97	K	1922	2000	574	-270	868	2750

Note: Weight when B = 300mm

Load (kg)	Class Fem/ISO	Hoisting motor					
		Hoisting speed (m/min): Gear code					
		8/1.3: E	10/1.7: F	12.5/2: G	16: H	20: J	
6300	3m/M6	P6,T6	P6,T6	P7,T7	T8	T9	
8000	2m/M5	P6,T6	P6,T6	P7,T7	T8	T9	
10000	1Am/M4	P6,T6	P7,T7	P8,T8	T9	TA	

This document is the absolute property of R&M Materials Handling, Inc. This document must not be copied without the written permission of R&M Materials Handling, Inc. The contents thereof must not be disclosed to a third party nor be used for any unauthorized purpose. Contravention will be prosecuted.

ETTPH Design	ETTPAL Chd	Appd	Ref Drawing	QD-N-02
2003-09-03 Date	TROLLEY; NORMAL HEADROOM			1 of 19 Folder
SLEQDOCV Owner Dept	2 ROPE FALLS			
R&M MATERIALS HANDLING, INC. HOIST & CRANE PRODUCTS SHELBYVILLE, OHIO	D002692-A			Issue 3

D002692-A_3

QD-N-02