

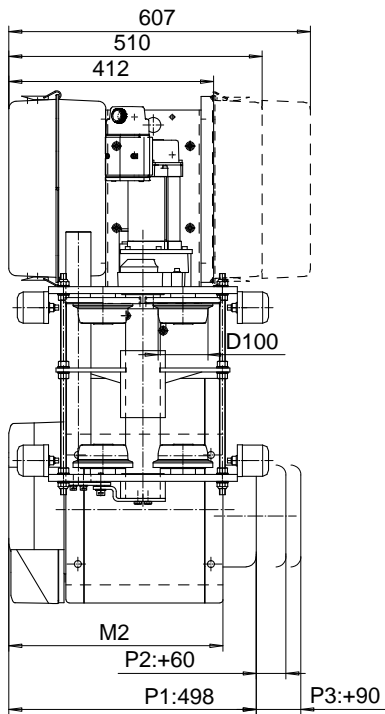
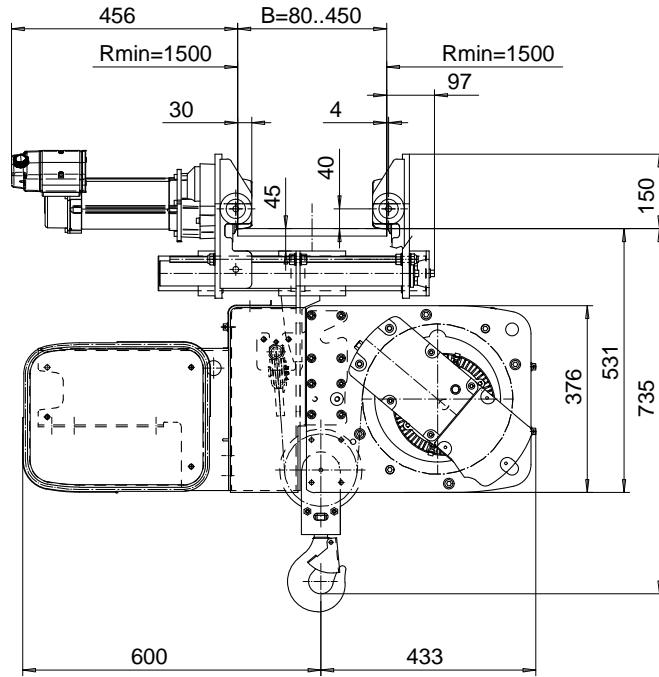
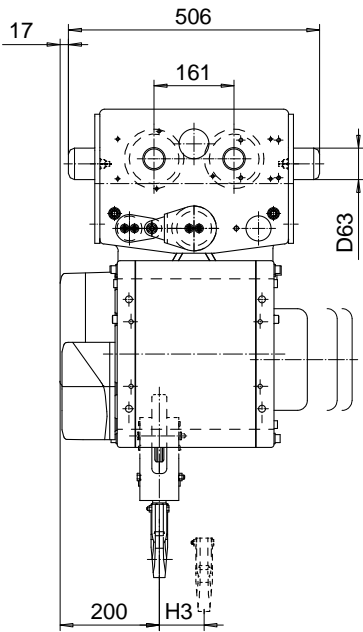
# NORMAL HEADROOM, 2 PART SINGLE

Hoist type:

SX2021..N0

SX3021..N0

SI-60Hz



Load (kg)	Class Fem/ISO	Hoisting speed (m/min)			
		Gear+Motor code:			
		F+P1	F+P2	G+P2	H+P3
800	3m/M6	12/2	12/2	15/2.5	19/3.2
1000	2m/M5	12/2	12/2	15/2.5	19/3.2
1250	3m/M6	-	12/2	15/2.5	19/3.2
1600	2m/M5	-	12/2	15/2.5	19/3.2
+ weight (kg):		-	10	10	13

HOL (m)	Length code	M2 (mm)	H3 (mm)	Weight (kg)
12	A	431	90	250
19	C	561	144	270

This document is the absolute property of R&M Materials Handling, Inc. This document must not be copied without the written permission of R&M Materials Handling, Inc. The contents thereof must not be disclosed to a third party nor be used for any unauthorized purpose. Contravention will be prosecuted.

ETFPAL Design	ETFPAL Chd	Appd	Ref Drawing	QA-N-02
2002-08-26 Date	TROLLEY; NORMAL HEADROOM			1 of 6-5 Folder
SLEQDOCV Owner Dept	2 ROPE FALLS			
R&M MATERIALS HANDLING, INC. SHEWAN & TOMES PRODUCTS SHEWAN, OHIO	D002077-A			Issue 4