

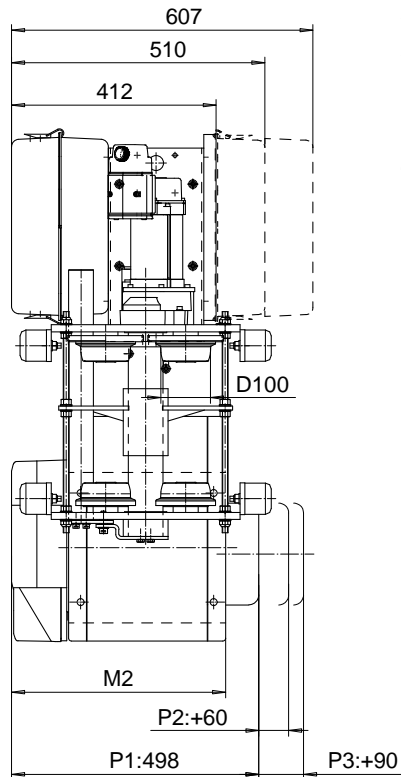
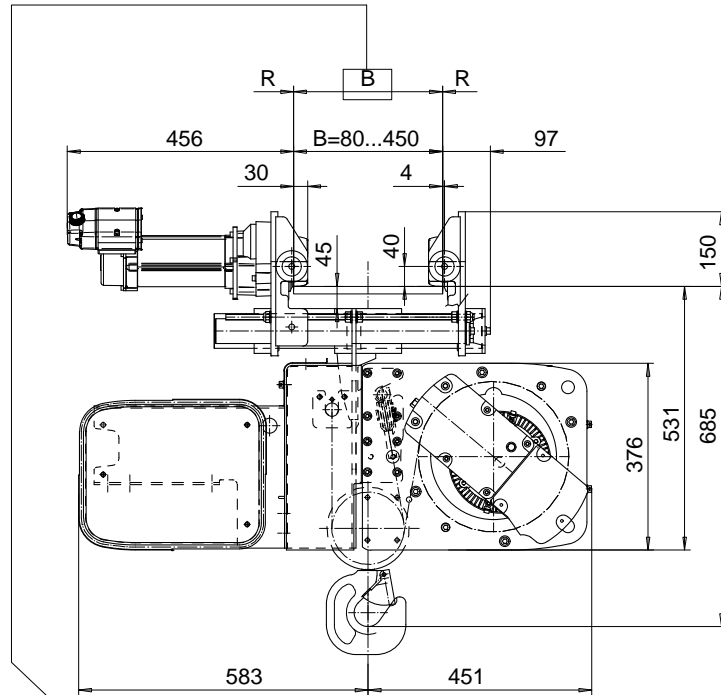
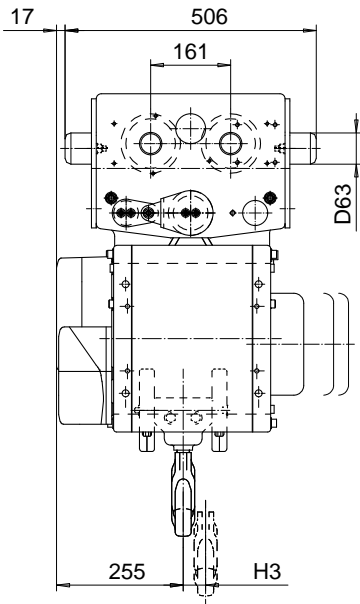
NORMAL HEADROOM, 4 PART SINGLE

Hoist type:

SX2041..N0

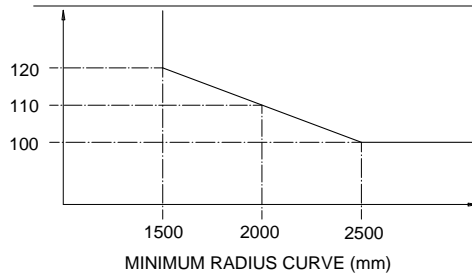
SX3041..N0

SI-60Hz



FLANGE WIDTH, B (mm)

MINIMUM RADIUS CURVE CHART



Load (kg)	Class Fem/ISO	Hoisting speed (m/min)			
		F+P1	F+P2	G+P2	H+P3
1600	3m/M6	6/1	6/1	7.5/1.3	9.5/1.6
2000	2m/M5	6/1	6/1	7.5/1.3	9.5/1.6
2500	3m/M6	-	6/1	7.5/1.3	9.5/1.6
3200	2m/M5	-	6/1	7.5/1.3	9.5/1.6
+ weight (kg):		-	10	10	13

HOL (m)	Length code	M2 (mm)	H3 (mm)	Weight (kg)
6	A	431	45	255
9.5	C	561	72	275

This document is the absolute property of R&M Materials Handling, Inc. This document must not be copied without the written permission of R&M Materials Handling, Inc. The contents thereof must not be disclosed to a third party nor be used for any unauthorized purpose. Contravention will be prosecuted.

ETFPAL Design	ETFPAL Chd	Appd	Ref Drawing	QA-N-04
2002-08-26			TROLLEY; NORMAL HEADROOM	
SLEQDOCV			4 ROPE FALLS	
Owner Dept				
R&M				
			D002082-A	
				4