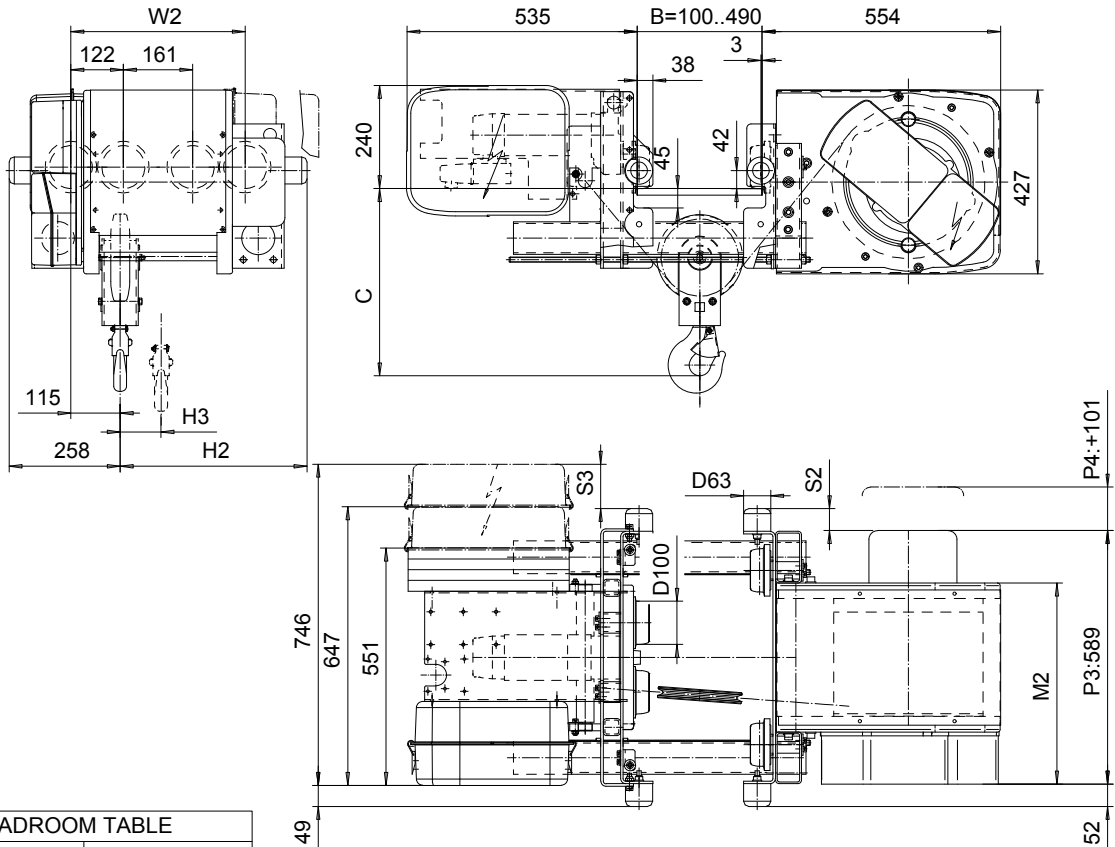


**LOW HEADROOM, 2 PART SINGLE**  
**Hoist type:**  
**SX4 021...L0**

SI-60Hz



HEADROOM TABLE	
Flange Width, B (mm)	Headroom, C (mm)
100 - 250	440
251 - 300	470
301 - 350	505
351 - 400	535
401 - 450	570
451 - 490	595

Headroom is related to the flange width

Load (kg)	Class Fem/ISO	Hoisting speed (m/min)		
		Gear+Motor code:		
		E+P3	F+P3	H+P4
1600	3m/M6	9.5/1.6	12/2	19/3.2
2000	3m/M6	9.5/1.6	12/2	19/3.2
2500	2m/M5	9.5/1.6	12/2	19/3.2
+ weight (kg):		-	-	40

HOL (m)	Length code	M2 (mm)	H2 (mm)	H3 (mm)	S2 (mm)	S3 (mm)	W2 (mm)	Weight (kg)
12	B	467	434	95	51	78	405	378
18	C	567	534	144	151	-22	505	398
24	D	667	634	193	251	-122	605	418

This document is the absolute property of R&M Materials Handling, Inc. This document must not be copied without the written permission of R&M Materials Handling, Inc. The contents thereof must not be disclosed to a third party nor be used for any unauthorized purpose. Contravention will be prosecuted.

ETFPAL Design 2002-08-27 Date	ETFPAL Chd Appd	Ref Drawing	QB-L-02
SLEQDOCV Owner Dept	TROLLEY; LOW HEADROOM 2 ROPE FALLS		1 of 5 Folder
R&M R&M MATERIALS HANDLING, INC. HOIST & CRANE PRODUCTS SHERBOURNE, ONT.	D002087-A		Issue 3