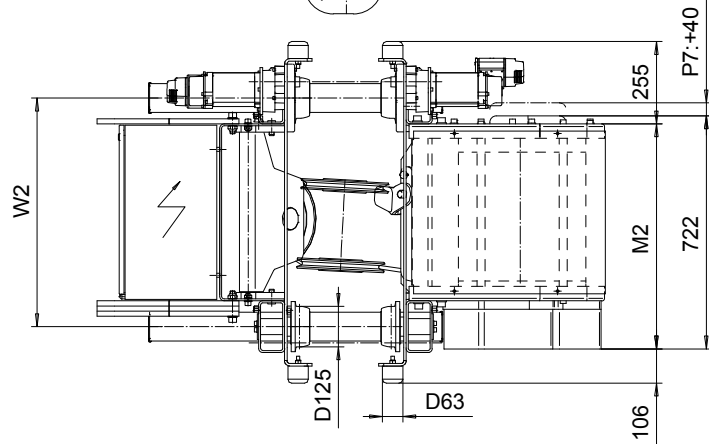
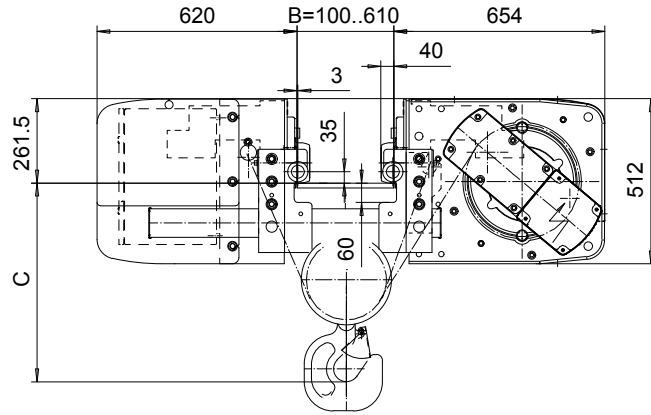
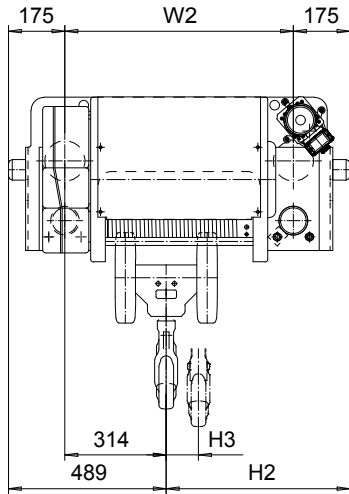


**LOW HEADROOM, 4 PART SINGLE**  
**Hoist type:**  
**SX5 041...L0**

SI-60Hz





HEADROOM TABLE	
Flange Width, B (mm)	Headroom, C (mm)
100 - 199	610
200 - 259	575
260 - 440	530
341 - 540	595
551 - 610	650

Headroom is related to the flange width

Load (kg)	Class Fem/ISO	Hoisting speed (m/min)			
		Gear+Motor code:			
		E+P5	F+P5	H+P6	J+P7
6300	3m/M6	4.8/0.8	6/1	9.5/1.6	12/2
8000	3m/M6	4.8/0.8	6/1	9.5/1.6	12/2
10000	2m/M5	4.8/0.8	6/1	9.5/1.6	12/2
+ weight (kg):		-	-	60	80

HOL (m)	Length code	M2 (mm)	H2 (mm)	H3 (mm)	W2 (mm)	Weight (kg)
9	D	697	569	88	708	695
12	E	817	689	118	828	745
16	F	967	839	156	978	790

This document is the absolute property of R&M Materials Handling, Inc. This document must not be copied without the written permission of R&M Materials Handling, Inc. The contents thereof must not be disclosed to a third party nor be used for any unauthorized purpose. Contravention will be prosecuted.

ETFPAL Design	ETFPAL Chd	Appd	Ref Drawing	QC-L-04
2002-08-29 Date	TROLLEY; LOW HEADROOM			 1:10 Folded
SLEQDOCV Owner Dept	4 ROPE FALLS			
 R&M R&M MATERIALS HANDLING, INC. HOIST & CRANE PRODUCTS BRIDGEVILLE, OHIO		D002117-A		Issue 4