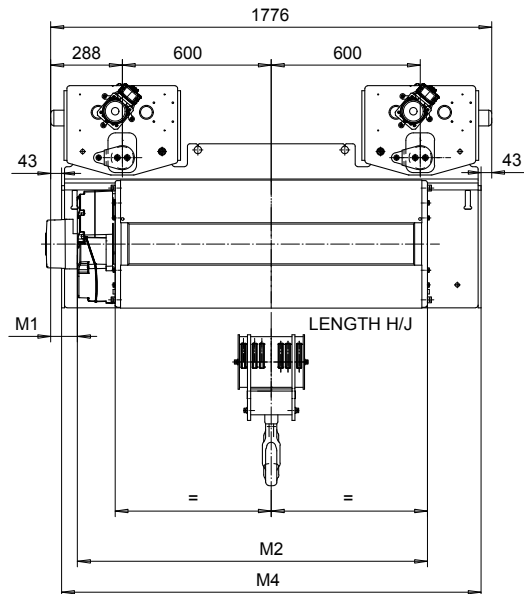
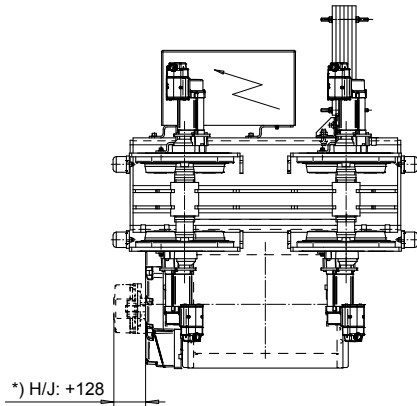
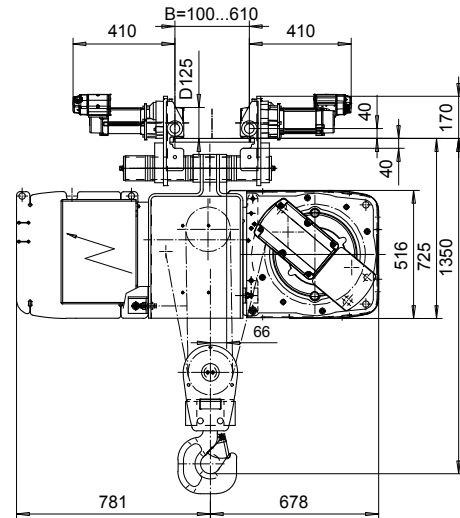
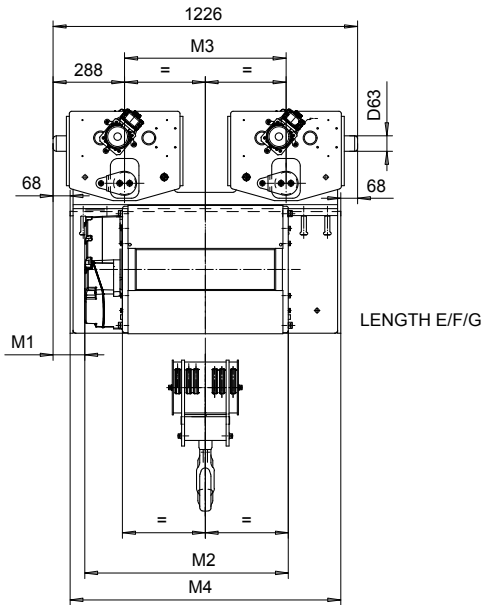


NORMAL HEADROOM, 6 PART DOUBLE  
 Hoist type:  
 SX5062...N0

SI-60Hz




Load (kg)	Class Fem/ISO	Hoisting speed (m/min)		
		Gear+Motor code:		
		F+P5	H+P6	J+P7
12000	3m/M6	3.8/0.6	6/1	7.5/1.3
15000	2m/M5	3.8/0.6	6/1	7.5/1.3
+ weight (kg):		-	60	80

HOL (m)	Length code	M1 (mm)	M2 (mm)	M3 (mm)	M4 (mm)	Weight (kg)
4	E	127	817	650	1090	1060
6	F	52	967	650	1090	1130
8	G	- 43	1157	650	1090	1150
11	H	107	1407	1200	1690	1350
15	J	- 68	1757	1200	1690	1400

Note:  
 Weight calculated, when B=300mm

Note:  
 \*) Gear brake as standard brake for drum lengths H and J

This document is the absolute property of R&M Materials Handling, Inc. This document must not be copied without the written permission of R&M Materials Handling, Inc. The contents thereof must not be disclosed to a third party nor be used for any unauthorized purpose. Contravention will be prosecuted.

ETVPH Design	ETVPH Chd	Appd	Ref Drawing	QC-N-26
2004-04-27			TROLLEY; NORMAL HEADROOM	 1 of 15 Folder
SLEQDCV Owner Dept			2x6 ROPE FALLS	
R&M			D003136-A	Issue 4