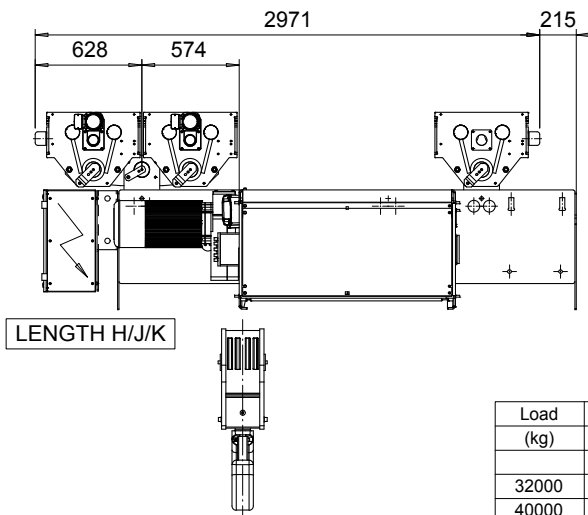
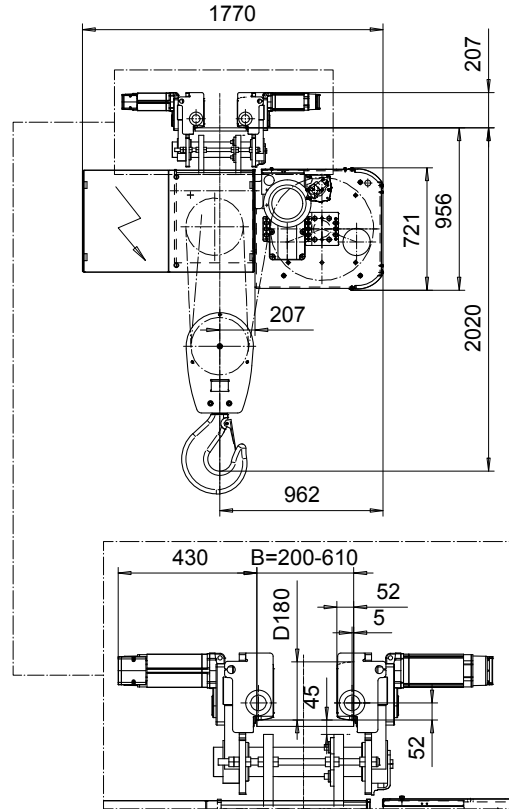
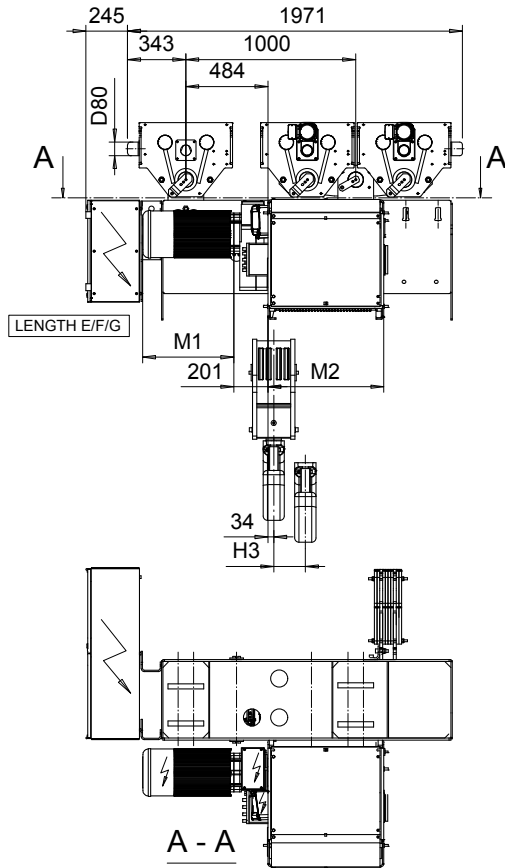


# NORMAL HEADROOM, 8 PART SINGLE

Hoist type:

SX6 081...N0

SI-60Hz



Motor	P6,T6,T7,T8,T9	P7,TA	P8
M1 (mm)	536	576	711

HOL (m)	Length code	M2 (mm)	H3 (mm)	Weight (kg)
7	E	682	63	2500
9	F	832	81	2650
11.5	G	1022	105	2750
15	H	1272	137	3100
20	J	1622	180	3350
24	K	1922	217	3550

Note: Weight when B = 300mm

Load (kg)	Class Fem/ISO	Hoisting motor					
		Hoisting speed (m/min): Gear code					
		2.4/0.4: E	3/0.5: F	3.8/0.6: G	4.8: H	6: J	
32000	2m/M5	P6,T6	P7,T7	P8,T8	T9	TA	
40000	1Am/M4	P6,T6	P7,T7	P8,T8	T9	TA	

This document is the absolute property of R&M Materials Handling, Inc. This document must not be copied without the written permission of R&M Materials Handling, Inc. The contents thereof must not be disclosed to a third party nor be used for any unauthorized purpose. Contravention will be prosecuted.

ETVPH Design	ETPAL Chd	Appd	Ref Drawing	QD-N-08
2003-09-09 Date	TROLLEY; NORMAL HEADROOM			1 of 19 Folder
SLEQDCV Owner Dept	8 ROPE FALLS			
R&M MATERIALS HANDLING, INC. HOIST & CRANE PRODUCTS SHEPPARD AVENUE ANN ARBOR, MI 48106	D002712-A			Issue 2