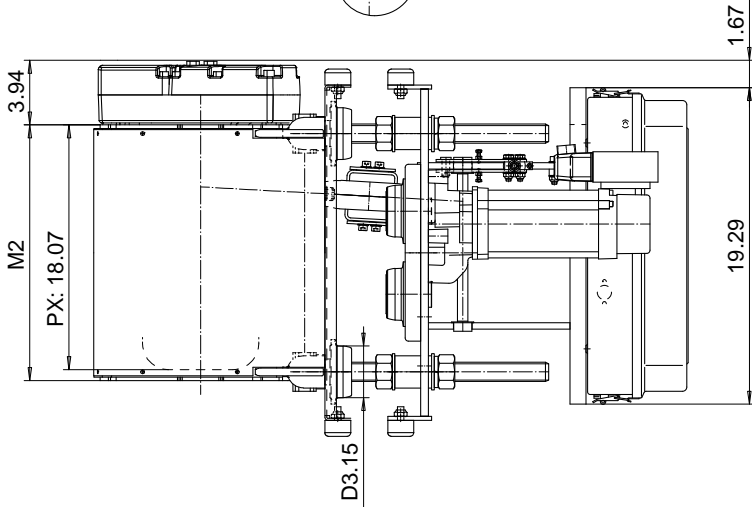
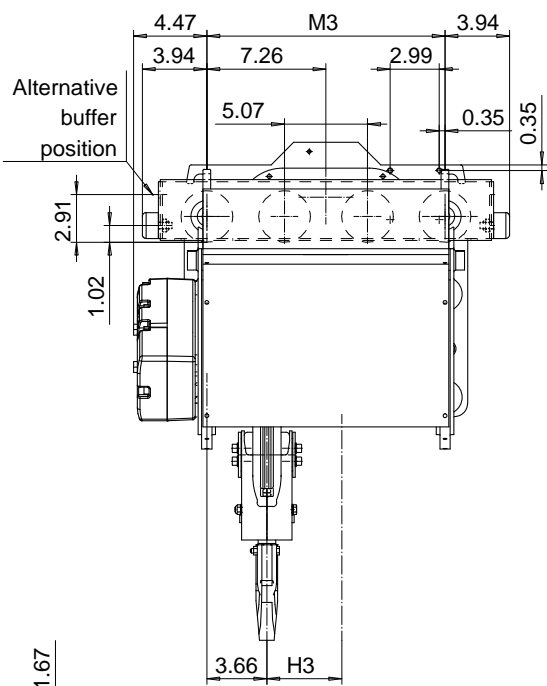
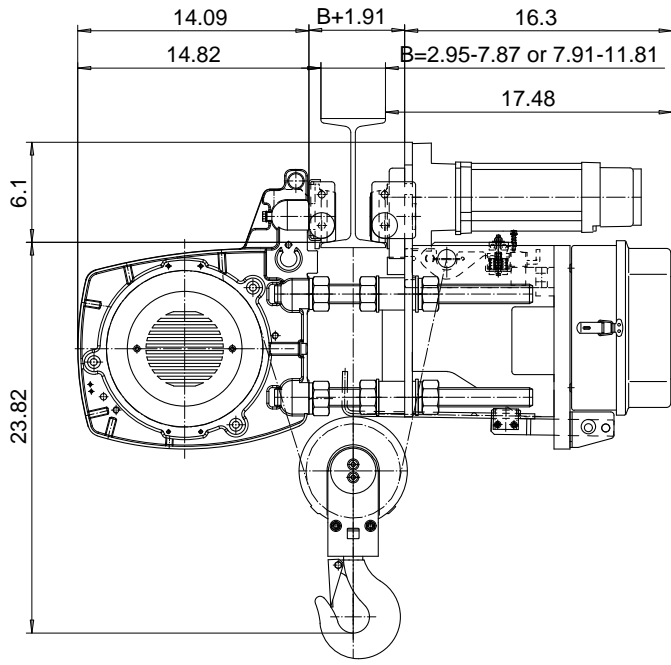


SPECIAL LOW HEADROOM, 2 PART SINGLE
Hoist type:
SX1 021...J0

US-60Hz



Load (TON)	Class ASME	Hoisting speed (ft/min) Gear+Motor code:
1	H4	E+PX 32/5.3

HOL	Length	M2	M3	H3	Weight
[ft]	code	[inch]	[inch]	[inch]	[lb]
19'-8"	A	15.5	14.5	2.22	350
39'-4"	B	15.5	14.5	4.39	360

This document is the absolute property of R&M Materials Handling, Inc. This document must not be copied without the written permission of R&M Materials Handling, Inc. The contents thereof must not be disclosed to a third party nor be used for any unauthorized purpose. Contravention will be prosecuted.

KHHMHE	Chd	Appd	Ref Drawing	QZ-J-02
Design 2004-11-05	HOIST; SPECIAL LOW HEADROOM			1 of 1 Folder
Date	2 ROPE FALLS			
SLEQDOCV	D003698-A			Issue 6
Owner Dept	R&M MATERIALS HANDLING, INC. ELECT & CONVE SYSTEMS SHEWAN, USA			