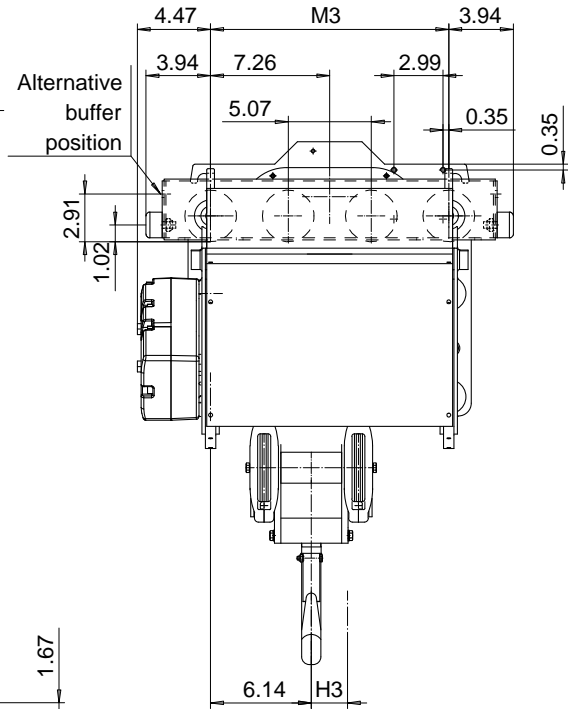
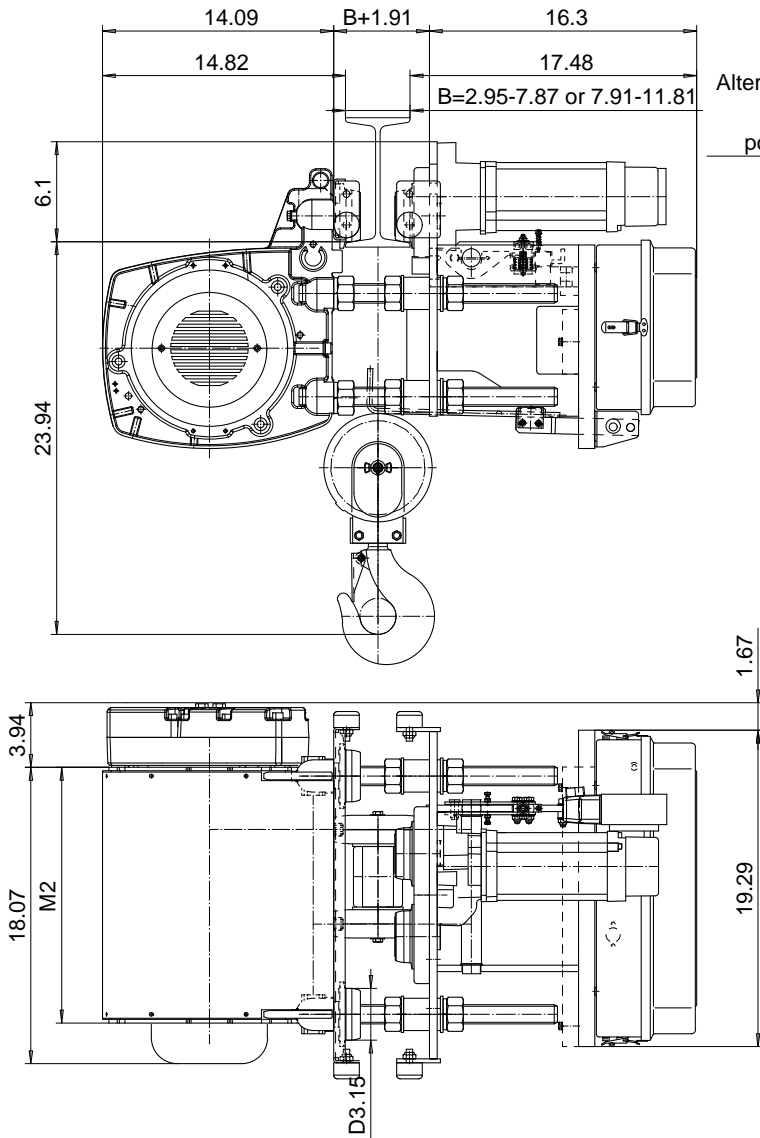


SPECIAL LOW HEADROOM, 4 PART SINGLE

Hoist type:

SX1 041...J0

US-60Hz



Load (TON)	Class ASME	Hoisting speed (ft/min)
		Gear+Motor code:
		E+PX
2	H4	16 /2.6

HOL [ft]	Length code	M2 [inch]	M3 [inch]	H3 [inch]	Weight [lb]
19'-8"	B	15.59	14.53	2.20	380
29'-6"	C	23.82	18.86	3.31	430

This document is the absolute property of R&M Materials Handling, Inc. This document must not be copied without the written permission of R&M Materials Handling, Inc. The contents thereof must not be disclosed to a third party nor be used for any unauthorized purpose. Contravention will be prosecuted.

KHHMHE	Chd	Appd	Ref Drawing	QZ-J-04
Design 2004-11-05	HOIST; SPECIAL LOW HEADROOM			3 of 5 Folder
Date SLEQDOCV	4 ROPE FALLS			
Owner Dept	D003696-A			Issue 6