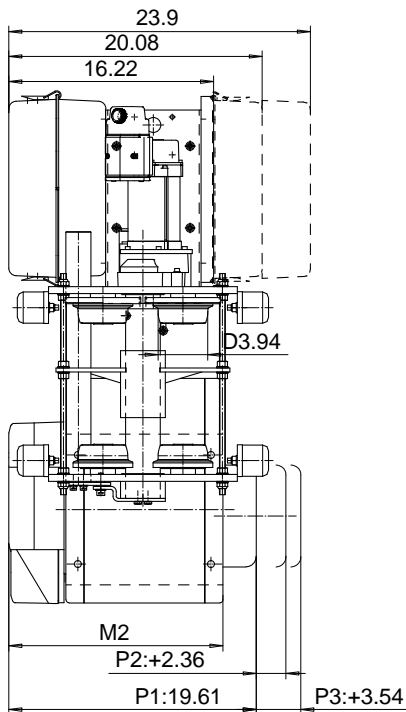
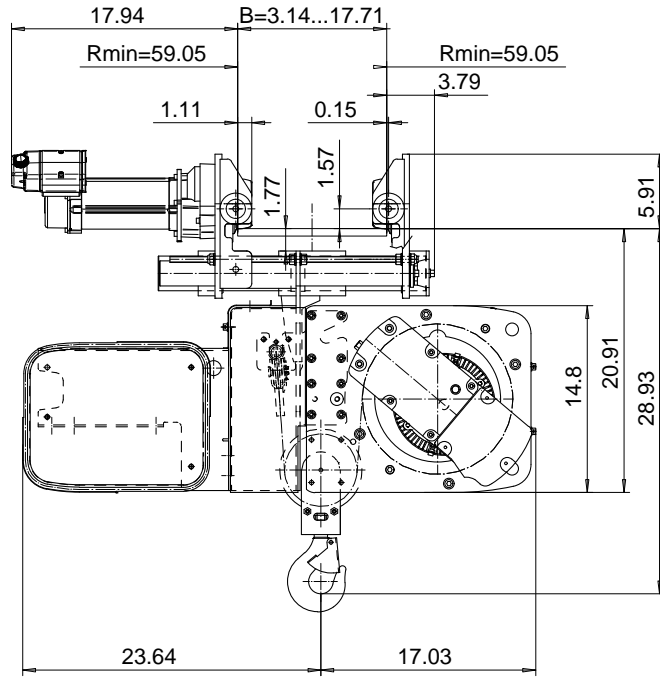
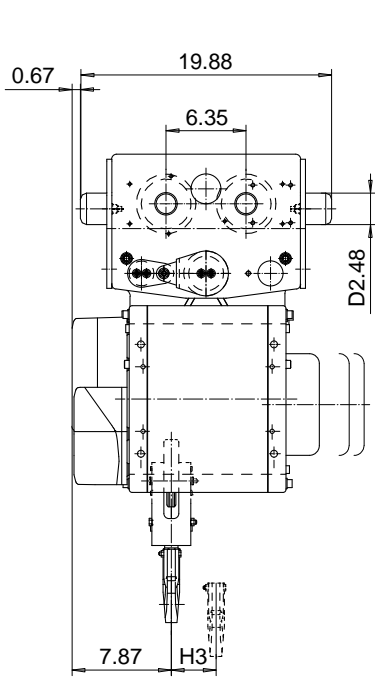


NORMAL HEADROOM, 2 PART SINGLE

Hoist type:
SX2021..N0
SX3021..N0

US-60Hz



Load (TON)	Class ASME	Hoisting speed (ft/min)			
		Gear+Motor code:			
		F+P1	F+P2	G+P2	H+P3
3/4	H4+	40/6.7	40/6.7	50/7.8	60/9.8
1	H4	40/6.7	40/6.7	50/7.8	60/9.8
1 1/4	H4+	-	40/6.7	50/7.8	60/9.8
1 1/2	H4	-	40/6.7	50/7.8	60/9.8
+ weight (lb):		-	20	20	26

HOL (ft)	Length code	M2 (inch)	H3 (inch)	Weight (lb)
39'-4"	A	16.97	3.54	500
62'-4"	C	22.09	5.67	540

This document is the absolute property of R&M Materials Handling, Inc. This document must not be copied without the written permission of R&M Materials Handling, Inc. The contents thereof must not be disclosed to a third party nor be used for any unauthorized purpose. Contravention will be prosecuted.

ETFPAL Design	ETFPAL Chd	Appd	Ref Drawing	QA-N-02
2002-08-26 Date	TROLLEY; NORMAL HEADROOM			1 of 6-5 Folder
SLEQDOCV Owner Dept	2 ROPE FALLS			Issue
R&M MATERIALS HANDLING, INC. HOIST & CRANE PRODUCTS SHEPHERD, OHIO	D002077-A			4