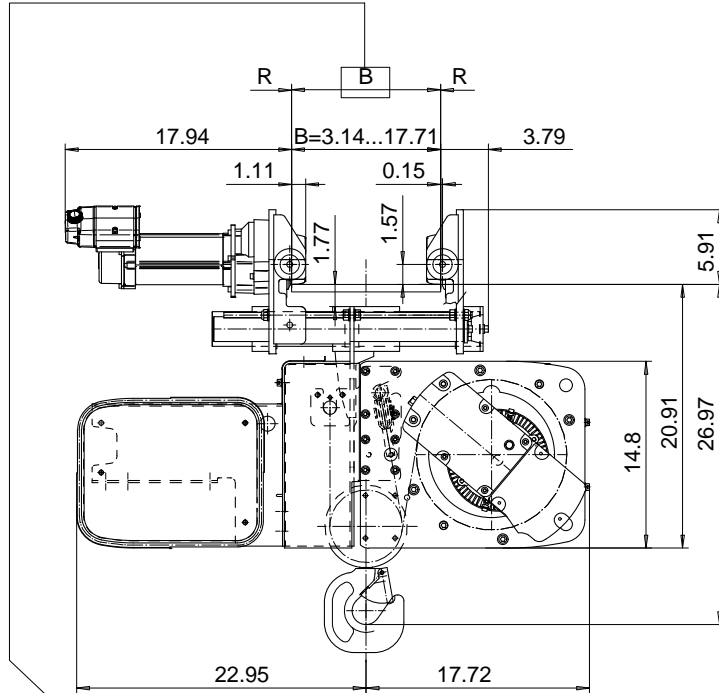
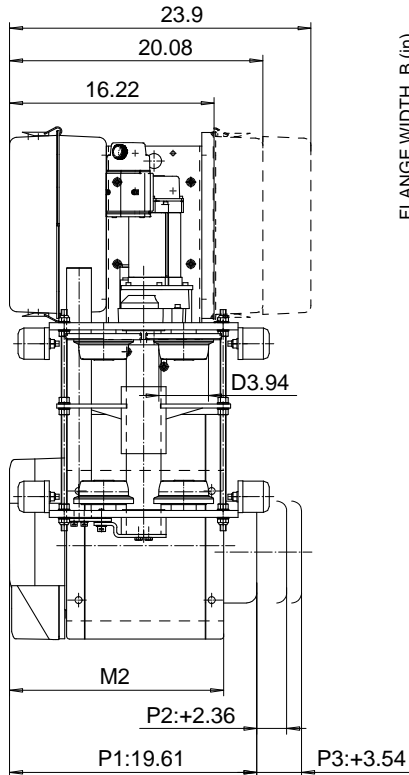
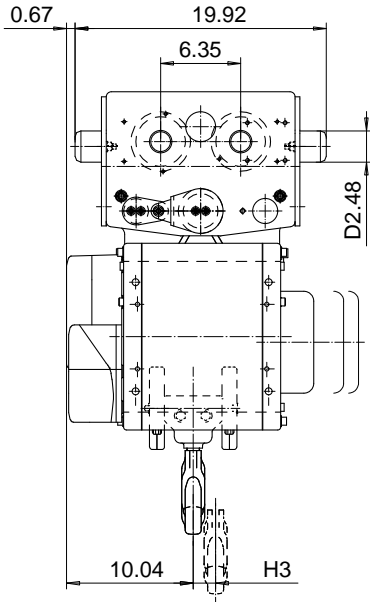


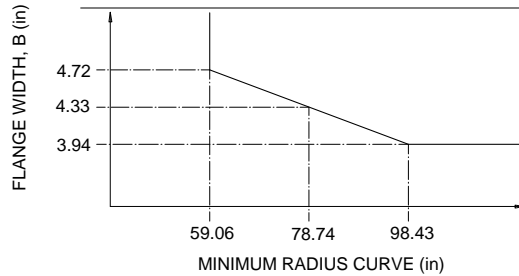
NORMAL HEADROOM, 4 PART SINGLE

Hoist type:
 SX2041..N0
 SX3041..N0

US-60Hz



MINIMUM RADIUS CURVE CHART



Load (TON)	Class ASME	Hoisting speed (ft/min)			
		F+P1	F+P2	G+P2	H+P3
1 1/2	H4+	20/3.1	20/3.1	25/3.9	30/4.9
2	H4	20/3.1	20/3.1	25/3.9	30/4.9
2 1/2	H4+	-	20/3.1	25/3.9	30/4.9
3	H4	-	20/3.1	25/3.9	30/4.9
+ weight (lb):		-	20	20	26

HOL (ft)	Length code	M2 (inch)	H3 (inch)	Weight (lb)
19'-8"	A	16.97	1.77	510
31'-2"	C	22.09	2.83	550

This document is the absolute property of R&M Materials Handling, Inc. This document must not be copied without the written permission of R&M Materials Handling, Inc. The contents thereof must not be disclosed to a third party nor be used for any unauthorized purpose. Contravention will be prosecuted.

ETTPAL Design 2002-08-26 Date	ETTPAL Chd Appd	Ref Drawing TROLLEY; NORMAL HEADROOM 4 ROPE FALLS	QA-N-04
SLEQDOCV Owner Dept	R&M R&M MATERIALS HANDLING, INC. 10001 W. 10TH AVENUE DENVER, CO 80202	D002082-A	1 of 6-5 Folder Issue 4