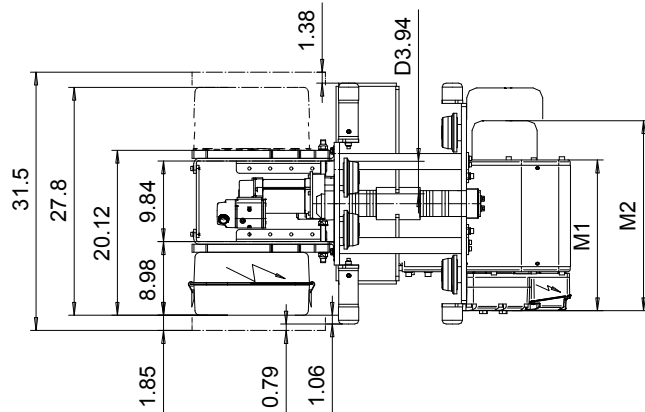
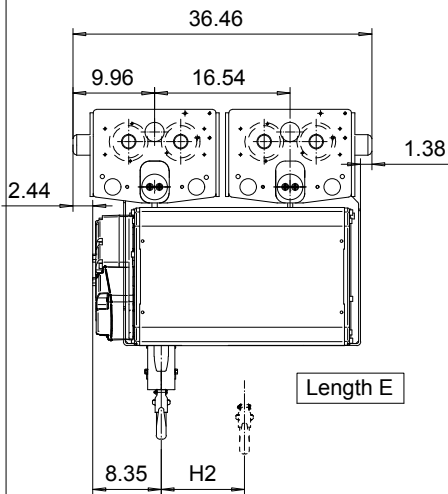
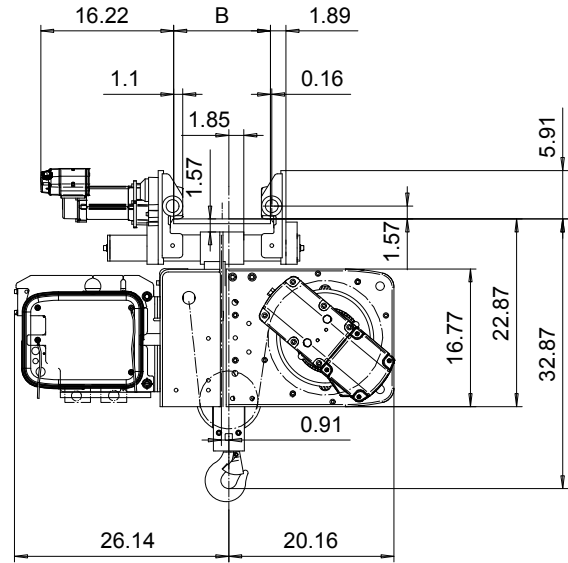
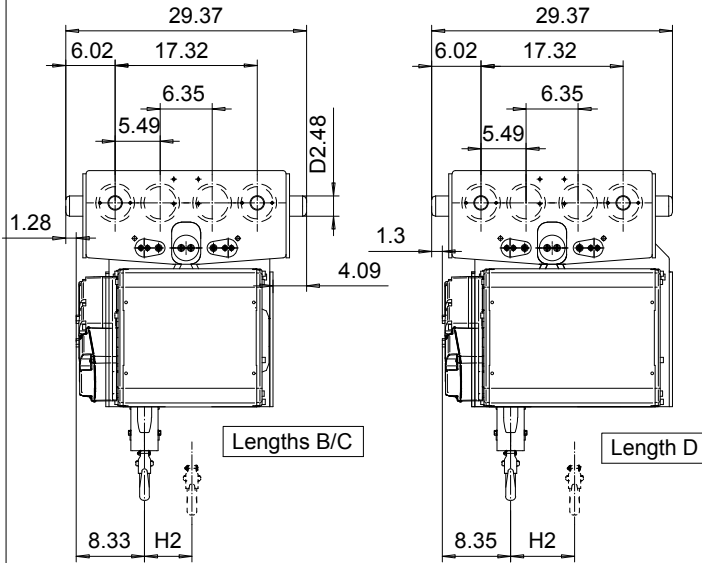


NORMAL HEADROOM, 2 PART SINGLE
Hoist type:

US-60Hz

SX4 021...N0

B = 4.7" - 17.7"



Motor Dimensions				
Motor	P3	P4	T3	T4
M2 (inch)	23.5	27.2	20	24
Weight (lb)	77	117	49	99

Load (TON)	Class ASME	Hoisting speed (ft/min)		
		Gear+Motor code:		
		E+P3	F+P3	H+P4
1 1/2	H4+	30/4.9	40/6.7	60/9.8
2	H4+	30/4.9	40/6.7	60/9.8
2 1/2	H4	30/4.9	40/6.7	60/9.8

Total weight = Hoist weight + Motor weight

Hoist Dimensions				
HOL (ft)	Length code	M1 (inch)	H2 (inch)	Weight (lb)
39'-4"	B	18.38	3.85	772
59'-0"	C	22.32	5.78	860
78'-8"	D	26.25	7.79	926
98'-5"	E	30.98	10.15	1058

Note: Weight calculated, when B = 11.81"

This document is the absolute property of R&M Materials Handling, Inc. This document must not be copied without the written permission of R&M Materials Handling, Inc. The contents thereof must not be disclosed to a third party nor be used for any unauthorized purpose. Contravention will be prosecuted.

ETTPAL Design 2002-08-27 Date SLEQDDCV Dexter Dept	ETTPAL Chd Appd Ref Drawing	QB-N-02
TROLLEY; NORMAL HEADROOM 2 ROPE FALLS		3-13-0 7-11-06
R&M MATERIALS HANDLING INC. R&M MATERIALS HANDLING, INC HOIST & CRANE PRODUCTS SPRINGFIELD, OHIO	D002090-A	6