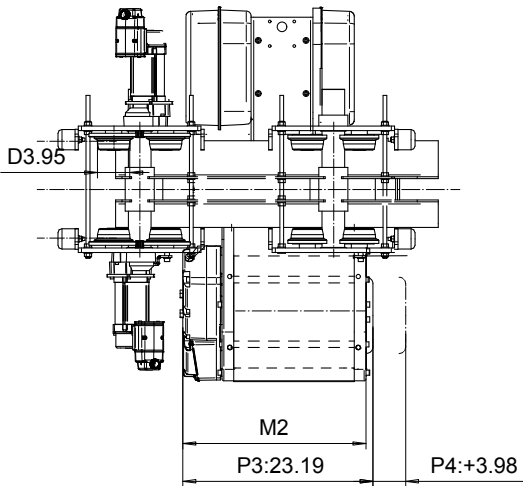
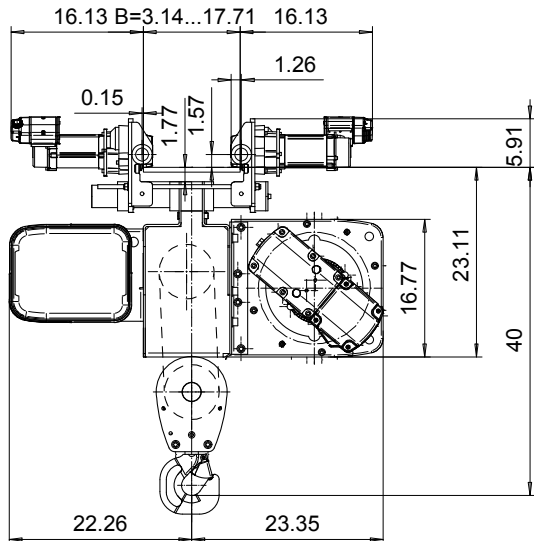
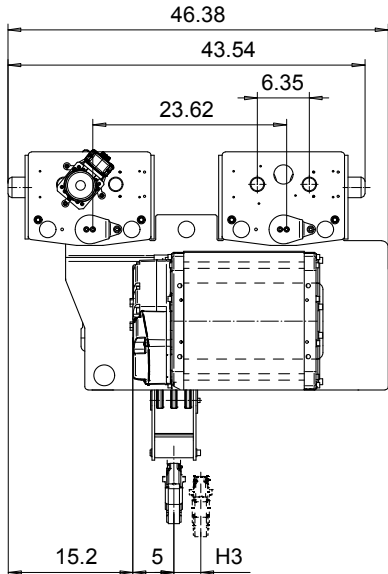


**NORMAL HEADROOM, 6 PART SINGLE**

Hoist type:

SX4 061...N0



US-60Hz



Load (TON)	Class ASME	Hoisting speed (ft/min)	
		Gear+Motor code:	
		F+P3	H+P4
6	H4+	12.5/1.9	20/3.1
7 1/2	H4	12.5/1.9	20/3.1
+ weight (lb):		-	80

HOL (ft)	Length code	M2 (inch)	H3 (inch)	Weight (lb)
19'-8"	C	22.32	1.92	1080
26'-2"	D	26.25	2.55	1120
32'-9"	E	30.98	3.34	1170

This document is the absolute property of R&M Materials Handling, Inc. This document must not be copied without the written permission of R&M Materials Handling, Inc. The contents thereof must not be disclosed to a third party nor be used for any unauthorized purpose. Contravention will be prosecuted.

ETFPAL Design	ETFPAL Chd	Appd	Ref Drawing	QB-N-06
2002-08-28 Date	TROLLEY; NORMAL HEADROOM			 1:10 Folded
SLEQDCV Owner Dept	6 ROPE FALLS			
 R&M R&M MATERIALS HANDLING, INC. HOIST & CRANE PRODUCTS BENTONVILLE, AR 72716		D002100-A		Issue 3