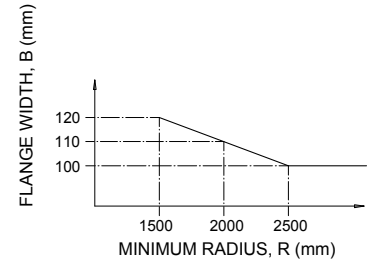
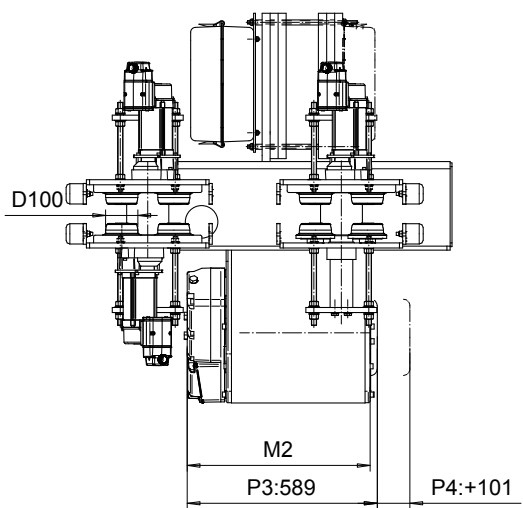
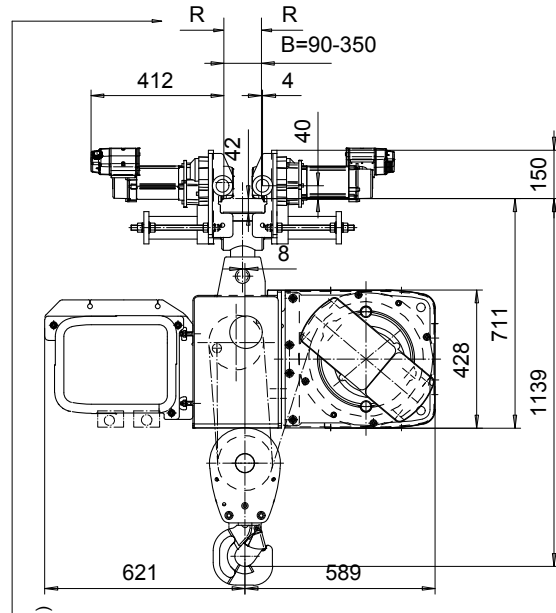
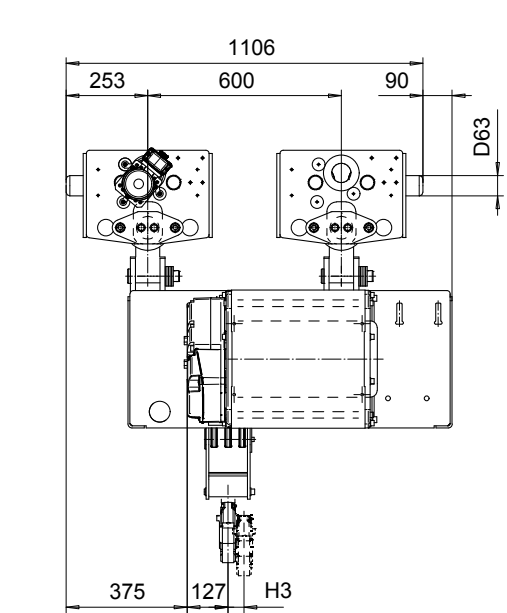


NORMAL HEADROOM, CURVED TRACK; 6 PART SINGLE

Hoist type:

SX4 061...N0

SI-60Hz



Load (kg)	Class Fem/ISO	Hoisting speed (m/min)	
		F+P3	H+P4
6000	3m/M6	3.8/0.6	6/1
7500	2m/M5	3.8/0.6	6/1
+ weight (kg):		-	40

HOL (m)	Length code	M2 (mm)	H3 (mm)	Weight (kg)
6	C	567	49	660
8	D	667	65	680
10	E	787	85	700

This document is the absolute property of R&M Materials Handling, Inc. This document must not be copied without the written permission of R&M Materials Handling, Inc. The contents thereof must not be disclosed to a third party nor be used for any unauthorized purpose. Contravention will be prosecuted.

ETVPH Design	ETVPH Chd	Appd	Ref Drawing	QB-N-06
2004-12-23 Date	TROLLEY; NORMAL HEADROOM			 1:10 Folded
SLEQDCV Owner Dept	CURVED TRACK; 6 ROPE FALLS			
R&M	D003842-A			Issue 1