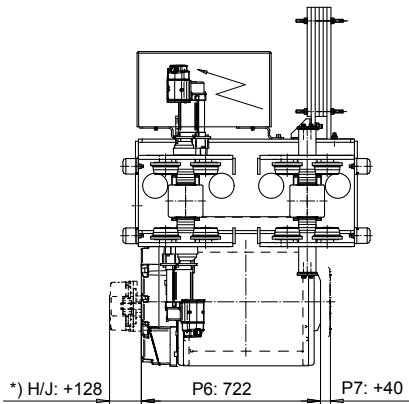
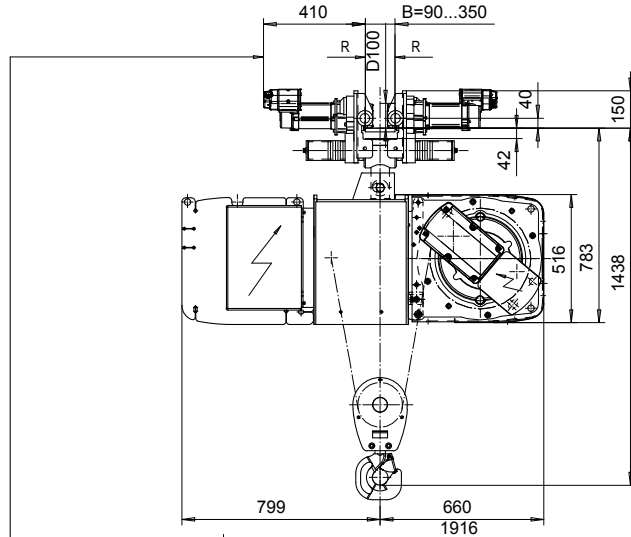
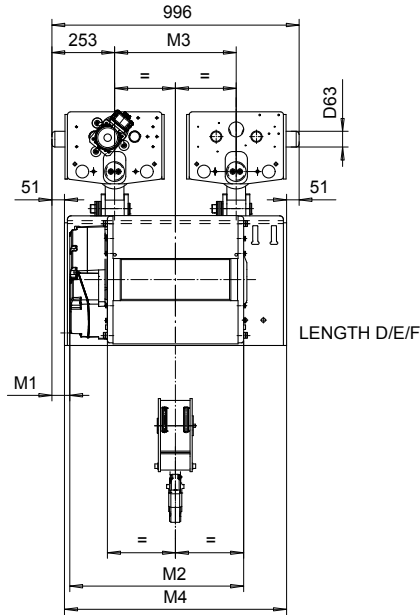


# NORMAL HEADROOM, CURVED TRACK, 2 PART DOUBLE

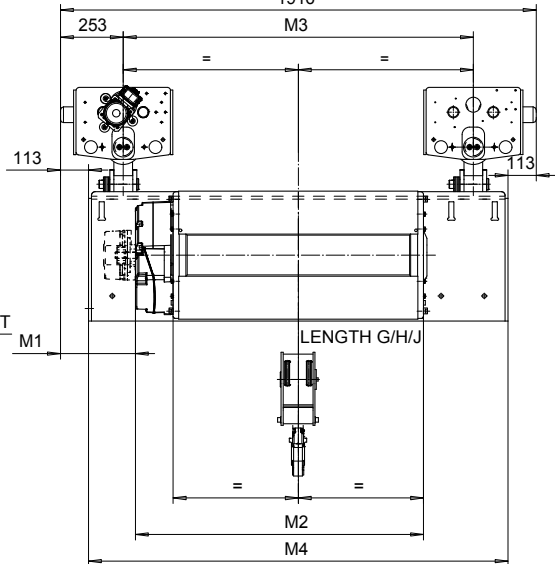
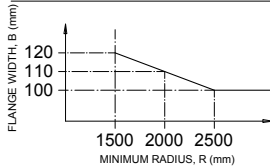
Hoist type:

SI-60Hz

SX5022...N0



MINIMUM RADIUS CURVE CHART



Load (kg)	Class Fem/ISO	Hoisting speed (m/min)			
		E+P5	F+P5	H+P6	J+P7
4000	3m/M6	9.5/1.6	12/2	19/3.2	24/4
5000	2m/M5	9.5/1.6	12/2	19/3.2	24/4
+ weight (kg):		-	-	60	80

HOL (m)	Length code	M1 (mm)	M2 (mm)	M3 (mm)	M4 (mm)	Weight (kg)
8.5	D	72	697	490	894	930
13	E	12	817	490	894	980
18	F	-63	967	490	894	1030
25	G	302	1157	1410	1690	1230
33.5	H	177	1407	1410	1690	1300
46	J	2	1757	1410	1690	1400

Note:  
Weight calculated with P5.

Note:  
\*) Gear brake as standard brake for drum lengths H and J

This document is the absolute property of R&M Materials Handling, Inc. This document must not be copied without the written permission of R&M Materials Handling, Inc. The contents thereof must not be disclosed to a third party nor be used for any unauthorized purpose. Contravention will be prosecuted.

Design 2005-08-24 Date	ETVPH Chd	Appd	Ref Drawing	QC-N-22
SLEQDOCV Owner Dept	TROLLEY; NORMAL HEADROOM CURVED TRACK, 2x2 ROPE FALLS			1 of 15 Folder
R&M R&M MATERIALS HANDLING, INC. HOIST & CRANE PRODUCTS SHEWAN-WALMSLEY CO. LTD.	D004206-A			Issue 1