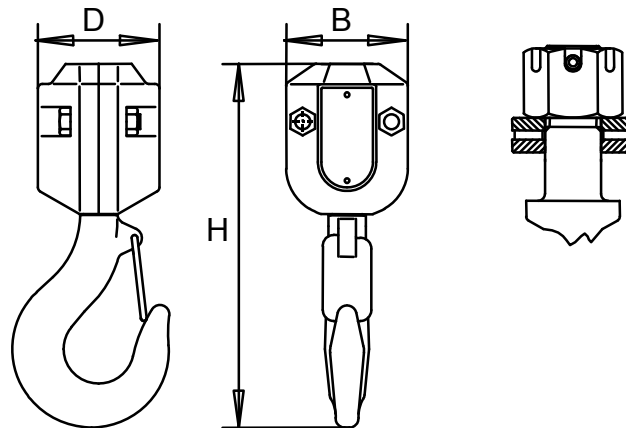


10 Load Block & Load Hook

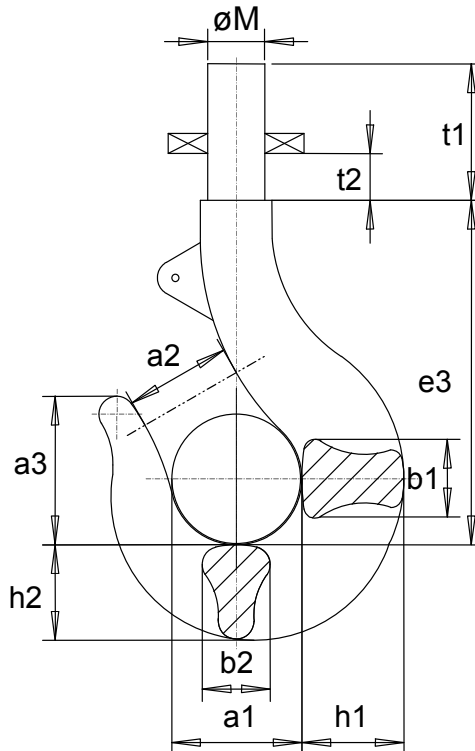
10.1 Load Block Dimension & Data

The standard load hook is forged alloy steel. The hook is equipped with a spring-loaded safety latch. The load hook is supported on a thrust bearing to allow a loaded hook to rotate 360° easily. The load block housing is enclosed and guards against load chain jamming during normal operating conditions. The sprocket in the two-fall load block equalizes the load.

Hoist	# of parts (falls)	Load Hook Nr	Hook Class	Hook Material	H inch [mm]	B inch [mm]	D inch [mm]	Hook Block Housing material
LM1	1	012	P	StE355	5.35 [136]	1.42 [36]	1.42 [36]	Aluminum alloy
LM1	2	012	P	StE355	6.3 [160]	1.89 [48]	1.34 [34]	Aluminum alloy
LM05	1	012	T	34CrMo4	6.2 [157.5]	2.05 [52]	2.05 [52]	Aluminum alloy
LM05	2	025	T	34CrMo4	8.37 [212.5]	2.83 [72]	2.36 [60]	Aluminum alloy
LM10	1	025	T	34CrMo4	7.62 [193.5]	2.68 [68]	2.68 [68]	Aluminum alloy
LM10	2	05	T	34CrMo4	10.26 [260.5]	3.97 [100.8]	2.83 [72]	Aluminum alloy
LM16	1	05	T	34CrMo4	9.37 [238]	3.39 [86]	2.83 [72]	Cast steel
LM16	2	1	T	34CrMo4	13.64 [346.5]	5.91 [150]	2.91 [74]	Cast steel
LM20	1	08	T	34CrMo4	10.71 [272]	3.78 [96]	3.15 [80]	Cast steel
LM20	2	1.6	T	34CrMo4	13.15 [334]	6.54 [166]	3.74 [95]	Cast steel
LM25	1	08	T	34CrMo4	10.71 [272]	3.78 [96]	3.15 [80]	Cast steel
LM25	2	1.6	T	34CrMo4	13.15 [334]	6.54 [166]	3.74 [95]	Cast steel



10.2 Load Hook Dimensions



Hook Forging Nr	ØM inch [mm]	øa ₁ inch [mm]	a ₂ inch [mm]	a ₃ inch [mm]	b ₁ inch [mm]	b ₂ inch [mm]	e ₃ inch [mm]	h ₁ inch [mm]	h ₂ inch [mm]	t ₁ inch [mm]	t ₂ inch [mm]
012	0.551 [14]	1.181 [30]	0.787 [20]	1.339 [34]	0.748 [19]	0.591 [15]	3.268 [83]	0.866 [22]	0.748 [19]	1.26 [32]	0.394 [10]
025	0.63 [16]	1.417 [36]	1.024 [26]	1.614 [41]	0.866 [22]	0.748 [19]	3.78 [96]	1.102 [28]	0.945 [24]	1.496 [38]	0.512 [13]
05	0.787 [20]	1.693 [43]	1.339 [34]	1.929 [49]	1.142 [29]	0.945 [24]	4.134 [105]	1.457 [37]	1.220 [31]	1.693 [43]	0.551 [14]
1	0.945 [24]	1.969 [50]	1.575 [40]	2.244 [57]	1.496 [38]	1.26 [32]	4.724 [120]	1.89 [48]	1.575 [40]	2.323 [59]	0.945 [24]
08	0.945 [24]	1.89 [48]	1.496 [38]	2.126 [54]	1.378 [35]	1.142 [29]	4.528 [115]	1.732 [44]	1.457 [37]	2.087 [53]	0.709 [18]
1.6	1.181 [30]	2.205 [56]	1.772 [45]	2.52 [64]	1.772 [45]	1.496 [38]	5.315 [135]	2.205 [56]	1.89 [48]	2.638 [67]	0.945 [24]

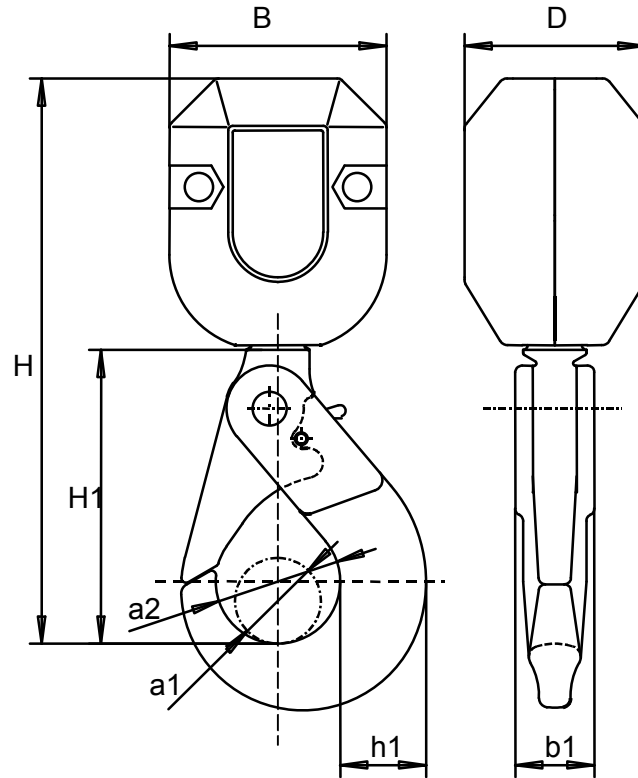
Dimension a₂ is without safety latch. Hook dimensions are according to DIN standard 15401.

10.3 Stainless Steel Load Hook

The rated capacity of the hoists using stainless steel load hook is reduced from maximum in order to maintain proper design margins. The table below lists the maximum capacity rating of the stainless steel load hook. Dimensions for the stainless load hooks are found in the Load Hook Dimensions section.

Hoist	# of chain drop (fall)	Hook Forging Nr	Maximum Hook Capacity Kg [FEM 1Bm]	Ton
LM05	1 or 2	025	500	½
LM10	1 or 2	05	1000	1
LM16	1 or 2	08	1600	1 ½
LM20	1 or 2	1	2000	2
LM25	1 or 2	1.6	3200	3

10.4 Hooks with Positive Action Throat Closure Device



Hoist	Fall	Part Number	a1 inch [mm]	a2 inch [mm]	b1 inch [mm]	h1 inch [mm]	B inch [mm]	D inch [mm]	H inch [mm]	H1 inch [mm]
LM05	1	2217015	1.18 [30]	1.77 [45]	1.18 [30]	1.18 [30]	2.05 [52]	2.05 [52]	6.77 [172]	4.13 [105]
LM05	2	2247015	1.18 [30]	1.77 [45]	1.18 [30]	1.18 [30]	2.68 [68]	2.68 [68]	7.6 [193]	4.13 [105]
LM10	1	2247015	1.18 [30]	1.77 [45]	1.18 [30]	1.18 [30]	2.68 [68]	2.68 [68]	7.6 [193]	4.13 [105]
LM10	2	2267015	1.5 [38]	2.17 [55]	1.38 [35]	1.38 [38]	3.39 [86]	2.83 [72]	9.25 [235]	5.12 [130]
LM16	1	2267015	1.5 [38]	2.17 [55]	1.38 [35]	1.38 [38]	3.39 [86]	2.83 [72]	9.25 [235]	5.12 [130]
LM20	1	2277015	1.5 [38]	2.17 [55]	1.38 [35]	1.38 [38]	3.78 [96]	3.15 [80]	9.84 [250]	5.12 [130]
LM25	1	2277015	1.5 [38]	2.17 [55]	1.38 [35]	1.38 [38]	3.78 [96]	3.15 [80]	9.84 [250]	5.12 [130]