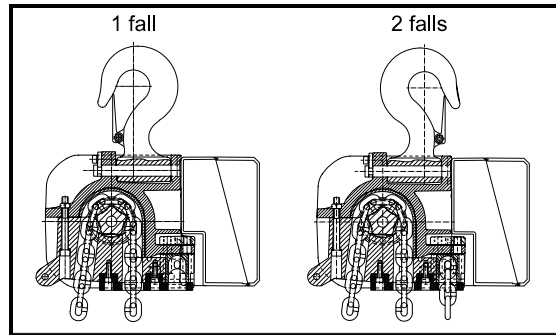


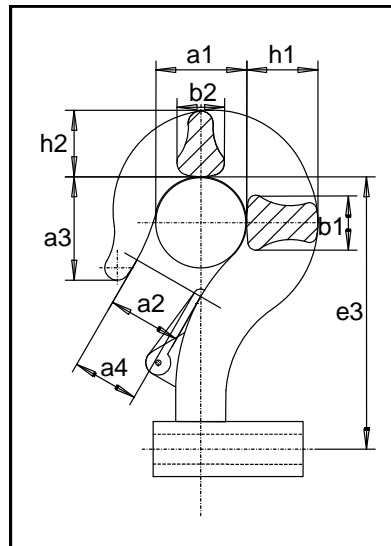
20 Top Hook

20.1 Description of the Top Hook

The top hook is mounted rigidly on the hoist body with the top hook perpendicular to the hoist body as shown below. The top hook is easily removable from the hoist and is supplied with a spring-return type safety latch. For **LM05** or **LM10** hoist only, a specially designed top hook with a parallel mounting position (90° from perpendicular) is available.



20.2 Top Hook Dimensions



Hoist	$\varnothing a_1$ inch [mm]	a_2 inch [mm]	a_3 inch [mm]	a_4 inch [mm]	b_1 inch [mm]	b_2 inch [mm]	e_3 inch [mm]	h_1 inch [mm]	h_2 inch [mm]
LM1	1.181 [30]	0.787 [20]	1.339 [34]	0.781 [20]	0.748 [19]	0.591 [15]	3.268 [83]	0.866 [22]	0.748 [19]
LM05	1.417 [36]	1.024 [26]	1.614 [41]	0.984 [25]	0.866 [22]	0.748 [19]	3.78 [96]	1.102 [28]	0.945 [24]
LM10	1.693 [43]	1.339 [34]	1.929 [49]	1.063 [27]	1.142 [29]	0.945 [24]	4.134 [105]	1.457 [37]	1.220 [31]
LM16, 20, 25	2.205 [56]	1.772 [45]	2.52 [64]	1.732 [44]	1.772 [45]	1.496 [38]	5.314 [135]	2.205 [56]	1.89 [48]

Dimension a_2 is throat opening without safety latch. Dimension a_4 is throat opening with safety latch.

21 Lug Suspension

Lug suspension is available for the **LoadMate** hoists. Mounting lug dimensions are found on the lug mounted hoist outline drawings.