

26 RPT Push Trolley

26.1 RPT Trolley Features and Specifications

The RPT push trolley cross shaft is suitable for a lug and a top hook. The shaft is specially shaped to keep the attaching device centered in place.

- ❑ Machined steel wheels – hardness 170 BHN average
- ❑ Wheels - suitable for Wide Flange beam and tapered flange beam
- ❑ Safety lugs
- ❑ Rubber bumpers
- ❑ Permanently lubricated wheel bearings
- ❑ Negotiate a curved track
- ❑ Top hook or Lug connection

Most RPT trolley models have two beam flange width ranges to cover a wide range of beam flange widths. In these cases, there are two cross shaft lengths, one for each range.

Trolley Model	Beam Flange Range Inch [mm]	Max. Capacity Ton [Kg]	Min. radius Curve Ft [m]	Unit Weight Lbs. [Kg]
RPT-250	2 – 7.88 [50 – 200]	1/4 [250]	3.28 [1.0]	7.75 [3.5]
RPT-500	2 – 7.88 [50 – 200]	1/2 [500]	3.28 [1.0]	7 [3]
	7.40 – 12.2 [188 – 310]			9 [4]
RPT-1000	2.56 – 7.88 [65 – 200]	1 [1000]	3.28 [1.0]	27 [12]
	7.88 – 12.2 [200 – 310]			33 [15]
RPT-2000	3.46 – 7.88 [88 – 200]	2 [2000]	4.92 [1.5]	35 [16]
	7.40 – 12.2 [188 – 310]			42 [19]

26.2 Push Trolley Dimensions

26.2.1 RPT Push Trolley Dimensions

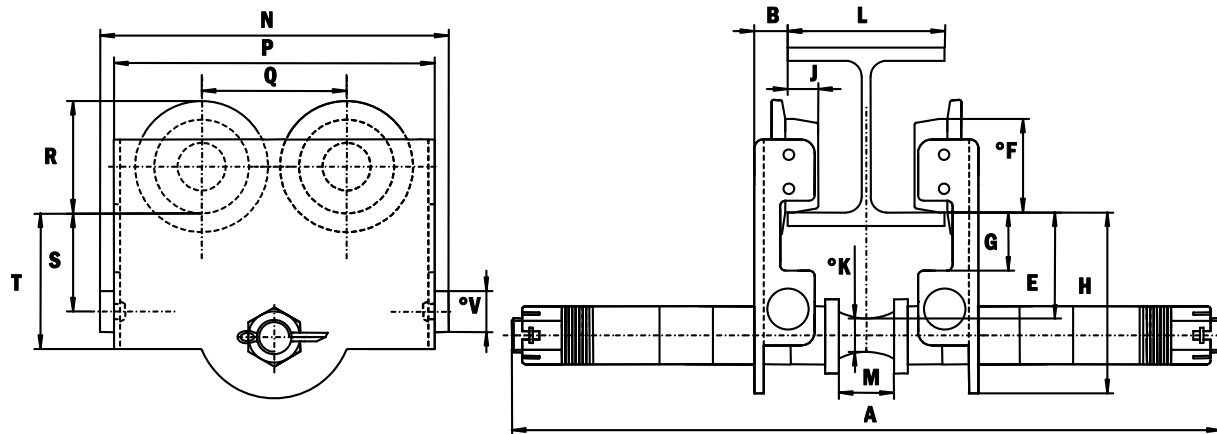


Figure I

Model	A Inch [mm]	B Inch [mm]	E Inch [mm]	ØF Inch [mm]	G Inch [mm]	H Inch [mm]	J Inch [mm]	ØK Inch [mm]	M Inch [mm]	N Inch [mm]	P Inch [mm]	Q Inch [mm]	R Inch [mm]	S Inch [mm]	T Inch [mm]	ØV Inch [mm]
RPT-250 Figure I	11 [278]	0.75 [19]	2.38 [60]	1.97 [50]	1.18 [30]	3.9 [99]	0.39 [10]	0.59 [15]	1.3 [33]	7.48 [190]	6.69 [170]	3.15 [80]	2.44 [62]	2.21 [56]	2.95 [74]	0.94 [24]
RPT-500 Figure I	12 [303]	0.75 [19]	2.44 [62]	2.17 [55]	1.34 [34]	4.17 [106]	0.71 [18]	0.79 [20]	1.26 [32]	7.96 [202]	7.32 [186]	3.31 [84]	2.64 [67]	2.25 [57]	3.12 [79]	0.94 [24]
	16.2 [411]															
RPT-1000 Figure I	12.7 [322]	1 [25.5]	3.25 [82]	2.36 [60]	1.58 [40]	5.31 [135]	0.91 [22.5]	0.95 [24]	1.58 [40]	9.49 [241]	8.86 [225]	3.98 [101]	3 [76]	2.60 [66]	3.98 [101]	1.10 [28]
RPT-2000 Figure I	13.4 [340]	1.06 [27]	3.82 [97]	3 [76]	1.5 [38]	6.26 [159]	0.87 [20]	1.18 [30]	1.65 [42]	11.4 [288]	10.7 [272]	4.57 [116]	3.62 [92]	3.39 [86]	4.76 [121]	1.38 [35]
	17.7 [448]															